

ELPLLA / ELPLNA Parabolic Louver for EL Troffers

1-1/2" and 2-5/8" Aluminum Parabolic Louvers



ELPLLA2412BW-BB

Elegant Design

Ready to install parabolic louver. 2 x 2 and 2 x 4 available in white and semi specular. The A.L.P. Parabolic Louver family incorporates the latest materials and manufacturing process to ensure a crisp finish and long term durability.

Efficient Solution

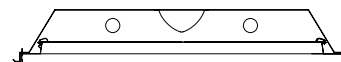
Reducing louver cell height and cell count is one of the fastest ways to increase fixture efficiency. Match with A.L.P.'s universal 7000 Series Reflector family for easy lamp relocation and removal. Changing the louver material can add needed brightness or additional glare control as necessary.

Application

For use with standard Steel Craft EL housing.

Ordering Information

Please call 877-257-5841 for price and delivery.



ELPLLA / ELPLNA Parabolic Louver

2x2, 2x4

Specifications

Door Frame

Features positive latching mechanism for easy re-lamping.

Reflector

Multi-radii high reflectance white or specular silver reflector distributes light through both optical elements.

Luminaire Type

Fits standard Steel Craft EL housing 2X2' and 2X4'.

Lamps

1 or 2 T8 fluorescent reflector kits available.

Ordering Information

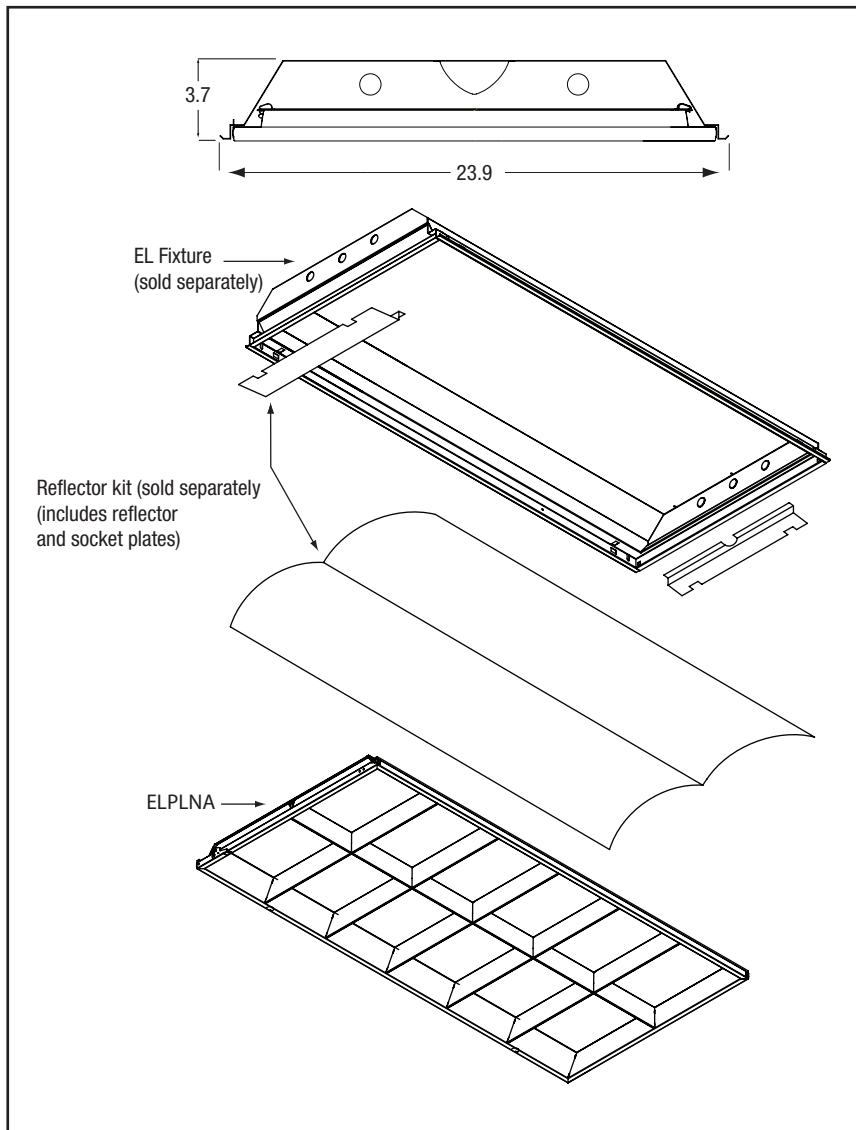
Example: ELPLLA2206SS-HT

ELPLLA	22	06	SS	—	HT
Series	Size	Cell	Finish		Option
ELPLLA - 1-1/2" ELPLNA - 2-5/8"	22 - 2x2 24 - 2x4	2x2 06 09 16 2x4 12 18 24 32	SS - Semi Specular Silver BW - Baked White Enamel		HT - High transmission

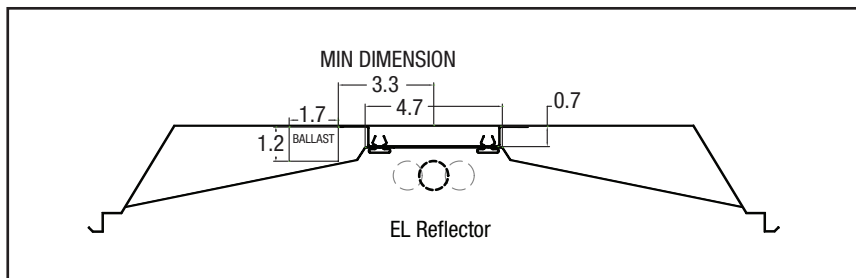


ELPLLA / ELPLNA Parabolic Louver for EL Troffers

1-1/2" and 2-5/8" Aluminum Parabolic Louvers



Reflector Kits	
RK124MW	REF. KIT COMBO 1L & 2L , 4FT T8/T5, MW
RK124W0	REF. KIT COMBO 1L & 2L , 4FT T8/T5, W0
RK124MWIWO	REF. KIT COMBO 1L & 2L , 4FT T8/T5, MW REFL. W0 INSERT
RK124W0W0	REF. KIT COMBO 1L & 2L , 4FT T8/T5, W0 REFL. W0 INSERT
RK122MW	REF. KIT COMBO 1L & 2L , 2FT T8/T5, MW
RK122W0	REF. KIT COMBO 1L & 2L , 2FT T8/T5, W0
RK122MWIWO	REF. KIT COMBO 1L & 2L , 2FT T8/T5, MW REFL. W0 INSERT
RK122W0W0	REF. KIT COMBO 1L & 2L , 2FT T8/T5, W0 REFL. W0 INSERT



Notice

A.L.P. Lighting Components, Inc., assumes no responsibility for suitability of these materials in any luminaire or application. Please test for fit and function prior to ordering project quantities.



A.L.P.
LIGHTING COMPONENTS, INC.

6333 Gross Point Road • Niles, IL 60714 USA
773-774-9550 Tel. • 773-774-9331 Fax • Direct
877-257-5841 Tel. • 800-438-2500 Fax • Toll Free
www.alighting.com