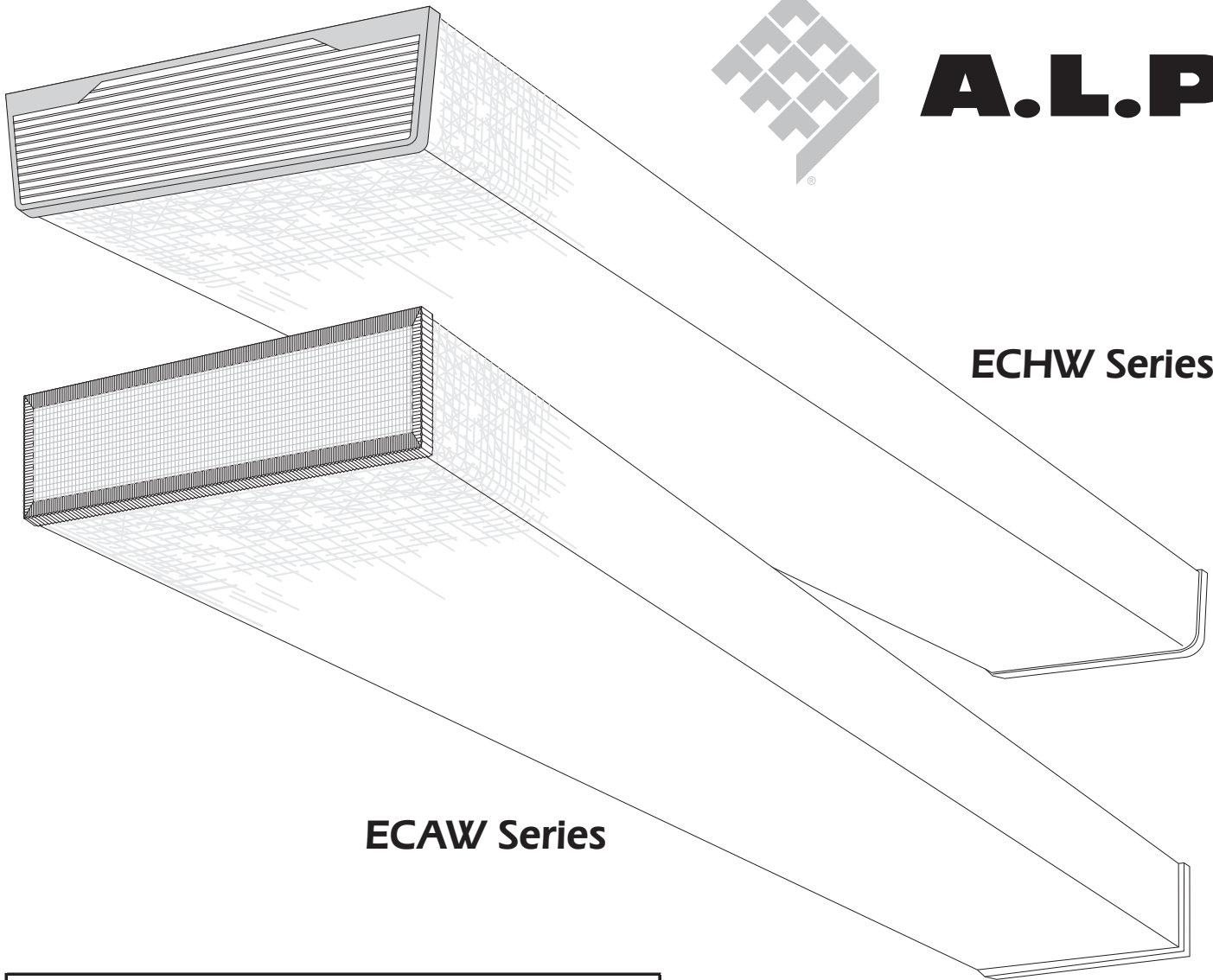


# 2 and 4 Lamp Wraparound Lens With Optional Injection Molded End Caps



**A.L.P.**



**ECAW Series**

**ECHW Series**

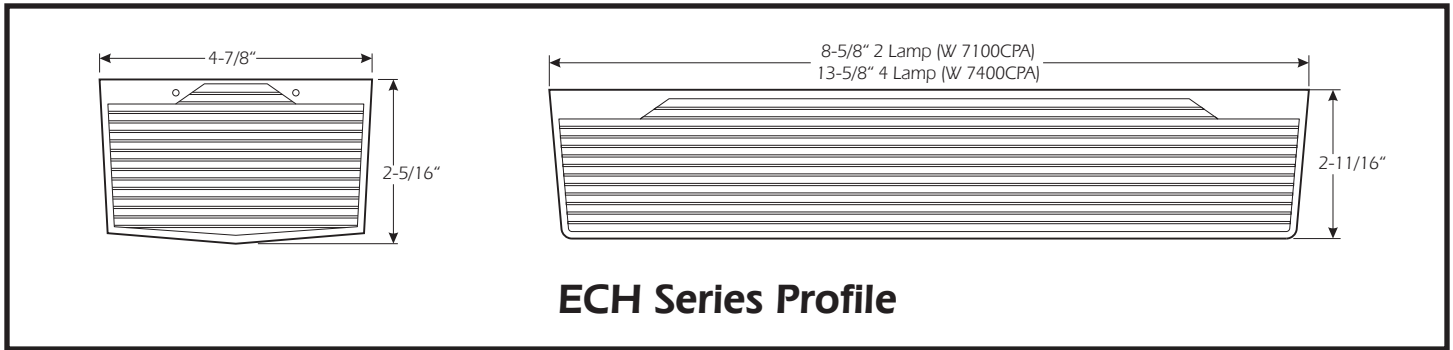
<b>ECA Series</b>	
<b>Part Number</b>	<b>Part Description</b>
W 3811CPAEC	2 Lamp CPA Wrap with Clear End Caps
W 3811CPAECW	2 Lamp CPA Wrap with White End Caps
W 3816CPAEC	4 Lamp CPA Wrap with Clear End Caps
W 3816CPAECW	4 Lamp CPA Wrap with White End Caps
ECA 3811CA	2 Lamp Clear End Cap Only
ECA 3811WT	2 Lamp White End Cap Only
ECA 3816CA	4 Lamp Clear End Cap Only
ECA 3816WT	4 Lamp White End Cap Only
<b>ECH Series</b>	
W 7101CPAECW	1 Lamp CPA Wrap with White End Caps
W 7100CPAECW	2 Lamp CPA Wrap with White End Caps
W 7100CPAECW-2	2 Lamp 2 ft Wrap with White End Caps
W 7400CPAECW	4 Lamp CPA Wrap with White End Caps
ECH 7101WT	1 Lamp White End Cap Only
ECH 7100WT	2 Lamp White End Cap Only
ECH 7400WT	4 Lamp White End Cap Only

## Specifications:

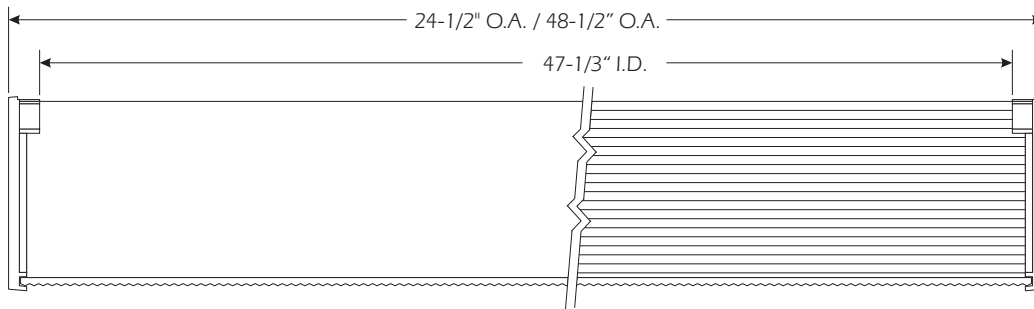
- CLEAR PRISMATIC WRAPAROUND (85% Acrylic, 15% DR)
- INJECTION MOLDED ABS CLEAR OR WHITE RIBBED ENDCAPS Sonically Welded and Molecularly Bonded to Lens

**Detailed drawings of lenses and end caps on reverse side of sheet**

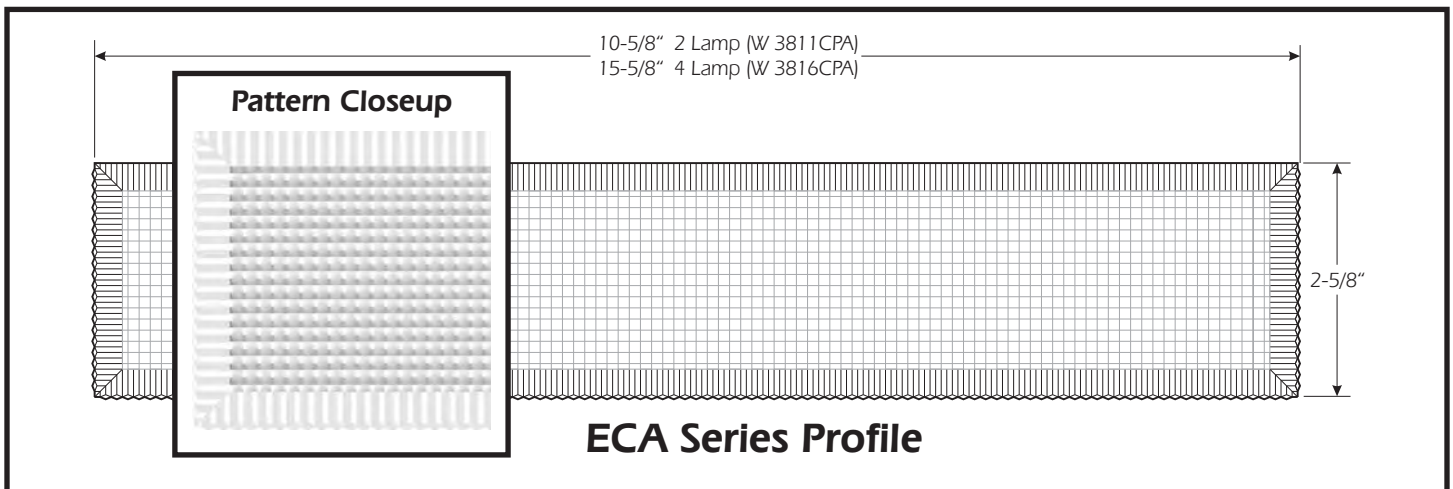
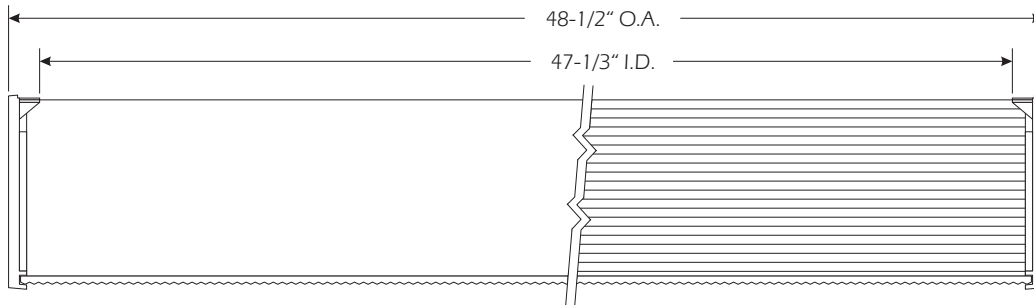
# DETAILED SCHEMATICS OF END CAPS



## Longitudinal Section, 2 Lamp W7100CPAECW, W7100CPAECW-2 & 4 Lamp W7400CPAECW



## Longitudinal Section, 1 Lamp W7101CPAECW



**A.L.P.**  
LIGHTING COMPONENTS, INC.  
CORPORATE HQ: CHICAGO, IL U.S.A.

For Customer Service and Support Contact us at:  
(877) ALP-LTG1 • Fax: (800) 438-2500 • [www.alplighting.com](http://www.alplighting.com)  
© 2006 A.L.P. LIGHTING COMPONENTS, INC., PRINTED IN THE U.S.A., 390WEC 067/R