

# UARDIAC RHT Retrofit Shielding Kit

## 2x2, 2x4 Recessed Direct / Indirect



UARDIAC RHT 2x4

### Elegant Design

The RDIAC RHT incorporates a radial Duri-Flex™ high transmission optic between sloping acrylic panels providing the look and feel of a deep RDI luminaire — subtle soft indirect elements, interest and depth across the ceiling plane — with a kit that consumes minimal space and material.

### Efficient Solution

The contoured side panels of the unit are high transmission acrylic that provide a low-brightness glow, with the majority of the light controlled through the center optical element.

#### UA Recessed Direct Indirect Louver Featuring Radial High-Transmission Center Overlay

UARDIAC22RHT-WB	2x2 Acrylic RDI w/Radial Duri-Flex HT Center Overlay "UA" White Universal Adapter Kit
UARDIAC24RHT-WB	2x4 Acrylic RDI w/Radial Duri-Flex HT Center Overlay "UA" White Universal Adapter Kit
UARDIAC22RHT-BB	2x2 Acrylic RDI w/Radial Duri-Flex HT Center Overlay "UA" Black Universal Adapter Kit
UARDIAC24RHT-BB	2x4 Acrylic RDI w/Radial Duri-Flex HT Center Overlay "UA" Black Universal Adapter Kit

### Application

For use with most recessed fixtures in standard 15/16" grid ceiling systems. Ideal for single lamp systems.

### Ordering Information

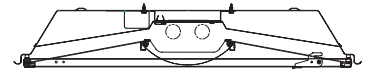
Please call 800-587-3310 for price and delivery.



Retrofit fixture without lifting, measuring or cutting.  
Patent Pending

#### Wiring Kit and Reflector Option

RK124MW	2x4 Reflector kit 1L and 2L, 4ft T8/T5 Matte White
RK122MW	2x2 Reflector kit 1L and 2L, 2ft T8/T5 Matte White
RR401-MW	Reflector rail 4ft, Matte White
RR201-MW	Reflector rail 2ft, Matte White



## UARDIAC RHT

2x2, 2x4  
Recessed Direct / Indirect

### Specifications

#### Door Frame

Features positive latching mechanism for easy re-lamping.

#### Direct Optical Component

High reflectance optical engine delivers main beam focus through the revolutionary Duri-Flex™ HT diffusing panel. With 93% transmission and 89% haze, the result is extraordinary control and efficiency. The radial curve reduces interior reflections and improves transmission. The Radial HT geometry is particularly suited for single lamp conversions.

#### Diffuser Surround:

(2) Sloping high transmission acrylic diffuser panels manage contrast and generate soft, even, higher angle luminance.

#### Reflector

Multi-radii high reflectance white reflector distributes light through both optical elements.

#### Luminaire Type

Fits most standard lay-in lensed or parabolic housings 2X2' and 2X4'.

#### Lamps

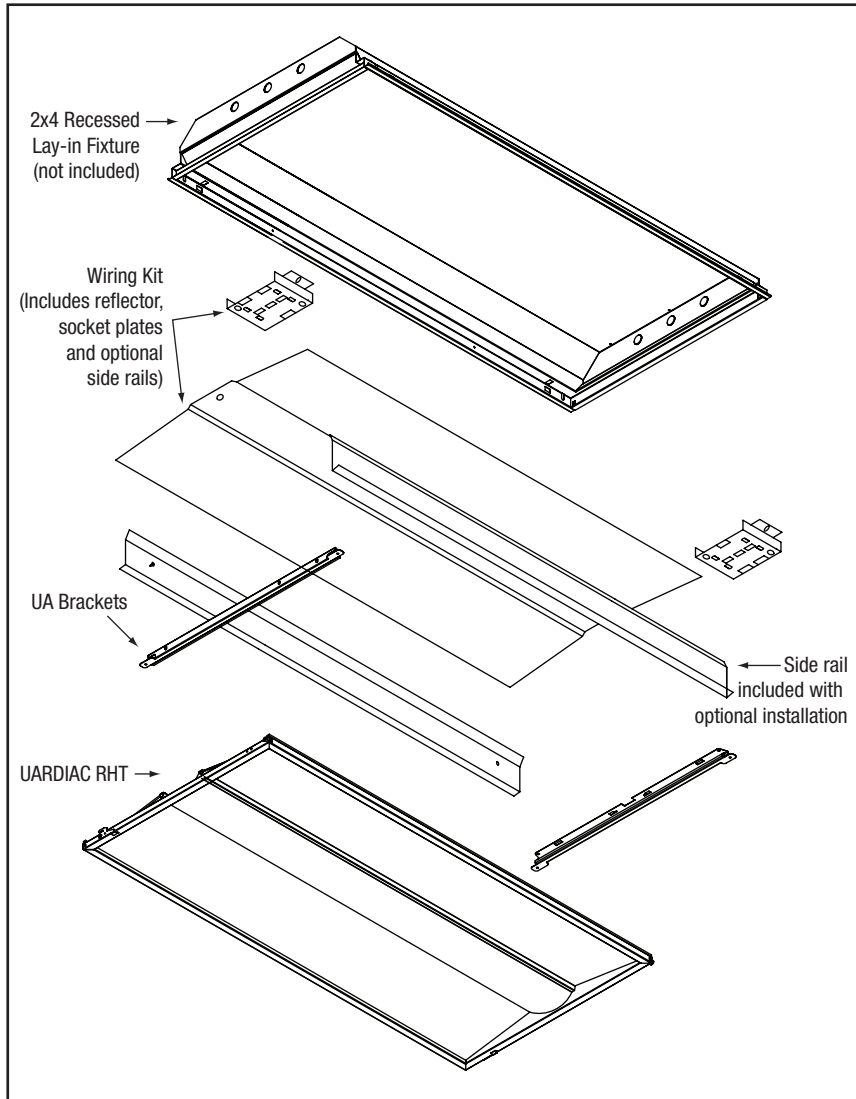
1- or 2-lamp T8 or T5 fluorescent wiring kits available.

**Lighting**  
Plastics  
**Solutions**

**RETROFIT SPECIALISTS**

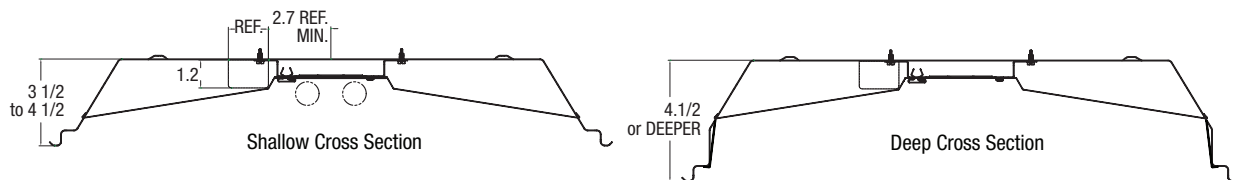
# UARDIAC RHT Retrofit Shielding Kit

2x2, 2x4 Recessed Direct / Indirect



## Wiring Kit and Reflector Option

RK124MW	2x4 Reflector kit 1L and 2L, 4ft T8/T5 Matte White
RK122MW	2x2 Reflector kit 1L and 2L, 2ft T8/T5 Matte White
RR401-MW	Reflector rail 4ft, Matte White
RR201-MW	Reflector rail 2ft, Matte White



Wiring Kit and Reflector Product Dimensions

## Notice

Lighting Plastics Solutions, assumes no responsibility for suitability of these materials in any luminaire or application. Please test for fit and function prior to ordering project quantities.

**Lighting**  
Plastics  
**Solutions**

**RETROFIT SPECIALISTS**

[www.mylpsolutions.com](http://www.mylpsolutions.com)

### TAMPA BAY

2140 Range Road, Suite A | Clearwater, FL 33765  
800-587-3310 | 727-441-9581 | 727-446-2451 fax

### CENTRAL FLORIDA

2119 Directors Row, Suite 5 | Orlando, FL 32809  
800-682-4197 | 407-398-1001 | 407-398-1003 fax

[info@mylpsolutions.com](mailto:info@mylpsolutions.com)

### SOUTHEAST US

3367 W Hospital Avenue, Suite B | Chamblee, GA 30341  
800-548-9101 | 770-817-7020 | 770-817-7021 fax

### NORTHEAST US

6965 Airport Highway Lane | Pennsauken, NJ 08109  
856-661-2442 | 856-661-2447 fax