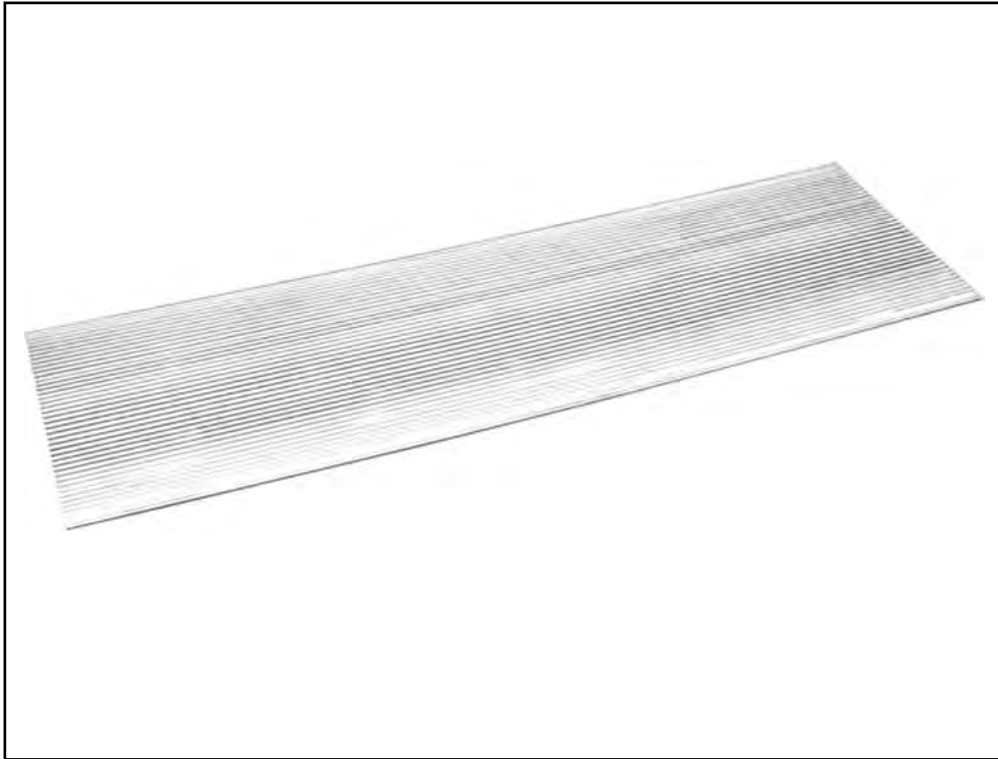


ASYMMETRIC LENSES

Model T-10



Model T-10

Model T-10

1 Lite

4 Lite

WIDTHS:
12" AND 23-3/4"

LENGTHS:
47-3/4" AND 48"

LENSES FOR COMMERCIAL,
INSTITUTIONAL, HOSPITAL,
RETAIL AND RESIDENTIAL
APPLICATIONS

STANDARD MATERIAL:
FLUORESCENT GRADE ACRYLIC
RFI SHIELDING AVAILABLE

PLEASE INQUIRE FOR
FURTHER MATERIAL OPTIONS

Description

T-10 Lenses can be assembled in recessed or surface mounted luminaires. The geometric designs of linear axis prisms control the source light to deliver an asymmetrical lighting distribution from 1 Lite and 4 Lite fixtures.

Application

T-10 Lenses are suitable for commercial, institutional, hospital, retail and residential lighting applications. A conductive grid which shields electromagnetic interference (EMI/RFI) and complies with the requirements of MIL-STD-461(E) can be supplied on these Asymmetric T-10 lenses.

Typical beam distributions are found on the back page. The photometric data shows 29 footcandles are achieved from the 2377 candela directly below the four lamp fixture.

Lamp Data

Fluorescent lamps 48 inches in length are generally the source for these lenses. The 24" wide model directs the light rays from four or six lamps outward and toward the lighting task. The 12" wide model accommodates one or two lamps and provides a similar outward asymmetric beam of light. The T-10 Asymmetric lens can be used with T12, T8 or T5 lamps.

Ordering Information

Please call 877-257-5841 for price and delivery.

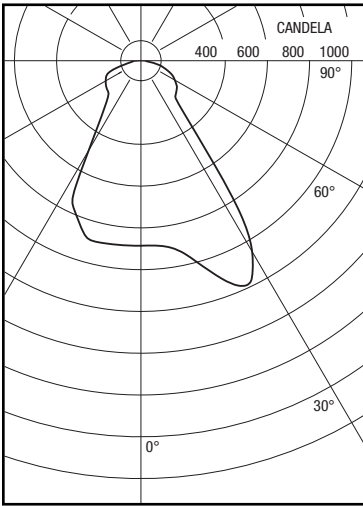
Specify lens size when placing an order. Custom widths and lengths are available. Typical lead time is four to six weeks.

Notice

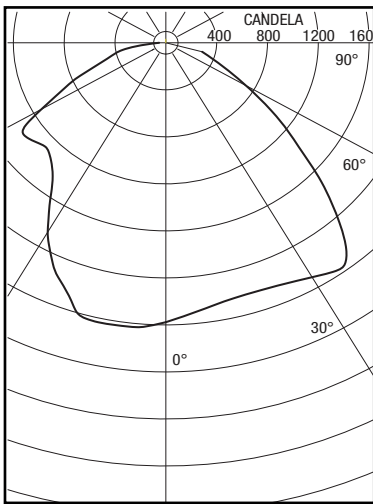
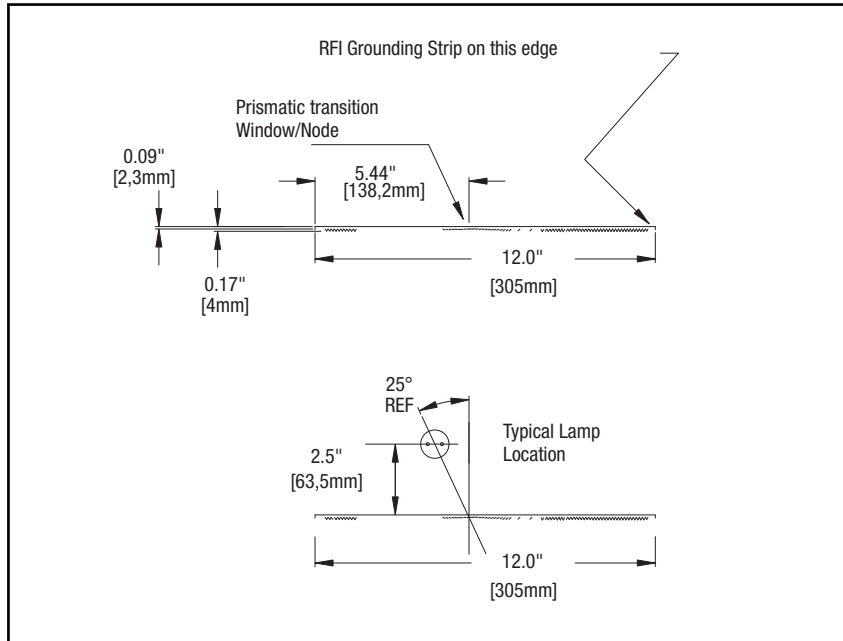
A.L.P. Lighting Components, Inc. assumes no responsibility for suitability of luminaires and applications. The use of lenses near and above 70°C temperatures with high UV output light sources will cause degradation of the material.



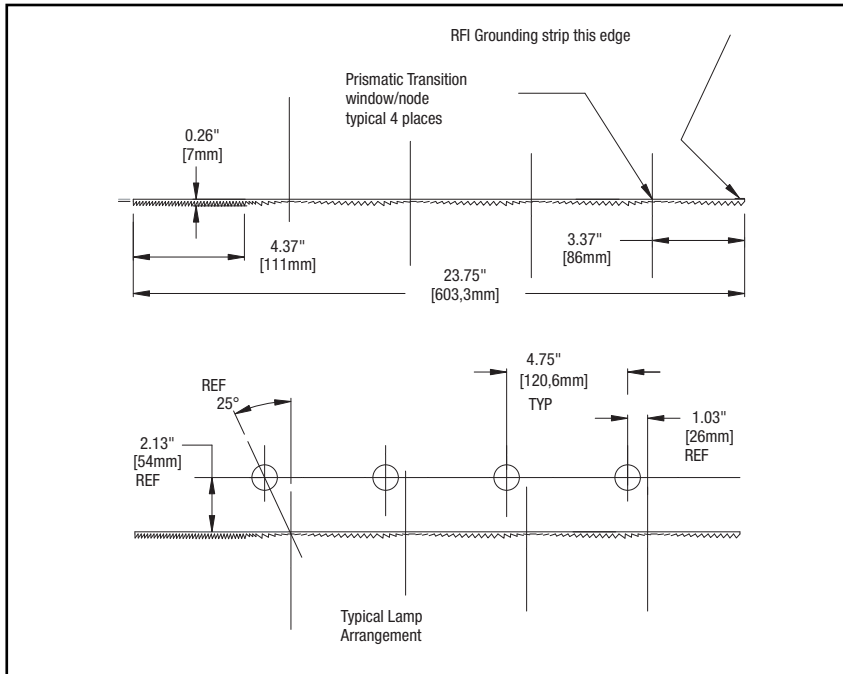
Model T-10



Report No.: LL02527
 Single 32 watt T8 Fluorescent
 12 inch Asymmetric Lens in white painted troffer



Report No.: LL02504
 Four 32 watt T8 fluorescent lamps
 24 inch Asymmetric Lens in white painted troffer



This drawing is for reference only. Actual part dimensions will vary. Customer is urged to review actual samples to confirm fit and function. All specifications and dimensions are subject to change without notice.

Materials

See the LexaLite brand price list for current part numbers and material offerings. Please visit our web site www.alplighting.com/lexalitematerials.htm to view our up to date and detailed material specifications.

