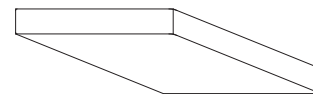


SQUARELINE DIFFUSERS

Series F60



Series F60



Series F60

12" X 24"
12" X 48"
24" X 24"
24" X 48"
36" X 36"

DECORATIVE DIFFUSERS FOR
COMMERCIAL, RETAIL AND
RESIDENTIAL APPLICATIONS

STANDARD MATERIAL:
HI-IMPACT WHITE ACRYLIC

PLEASE INQUIRE FOR
FURTHER MATERIAL OPTIONS

Description

The Squareline Series Diffusers feature a crisp, clean design. This series is produced from white, Hi-Impact acrylic. Its matte S82 pattern surface provides uniformity of light diffusion with an uplight component.

Application

The Squareline Series is a group of contemporary diffusers for surface mounted applications.

Lamp Data

Series F60 components are capable of being used with either linear fluorescent or u-shaped fluorescent lamps depending on the luminaire geometry.

Ordering Information

Please call 877-257-5841 for price and delivery. Specify opening size when placing an order. Typical lead time is four to six weeks.

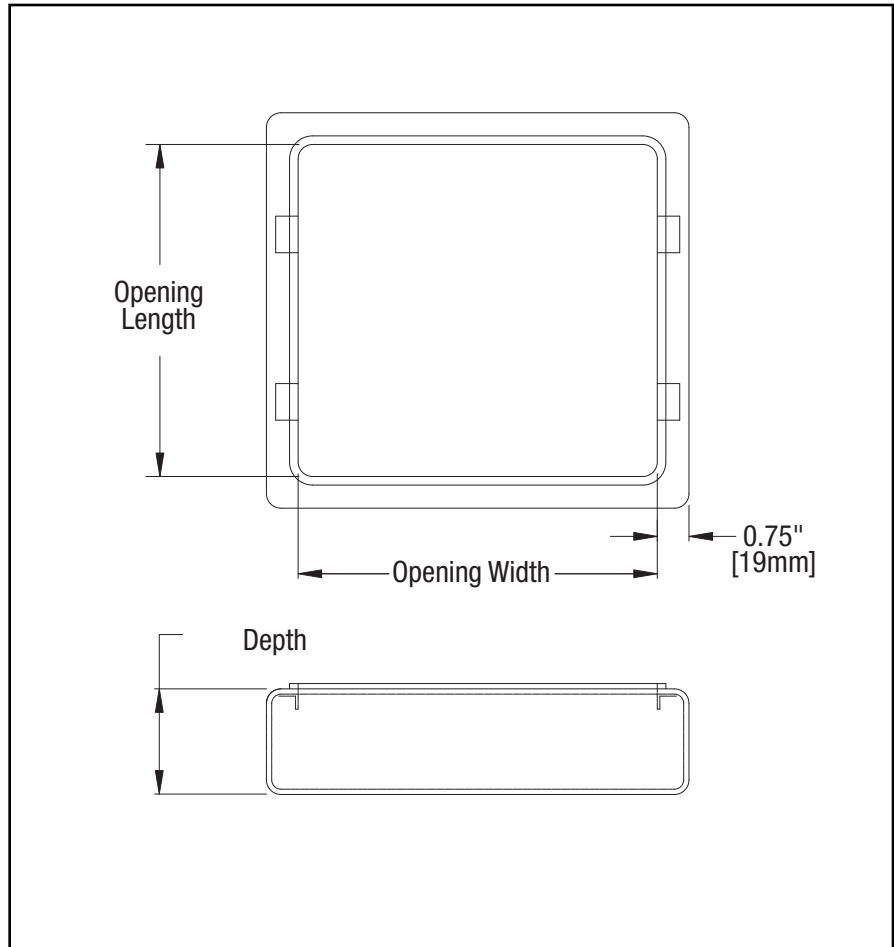
Notice

A.L.P. Lighting Components assumes no responsibility for suitability of luminaires and applications. The use of diffusers at temperatures near or above 70°C with high ultraviolet output light sources will cause degradation of the material.

Series F60

Series F60

Size	Trim Size	Opening	Depth
12" x 24"	13-1/2" x 26"	12" x 24-1/2"	2-1/2"
12" x 48"	13-1/2" x 50"	12" x 48-1/2"	2-1/2"
24" x 24"	25-1/2" x 26"	24" x 24-1/2"	2-1/2"
24" x 48"	25-1/2" x 50"	24" x 48-1/2"	2-1/2"
36" x 36"	37-1/2" x 38"	36" x 36-1/2"	2-1/2"



**This drawing is for reference only. Actual part dimensions will vary.
Customer is urged to review actual samples to confirm fit and function.
All specifications and dimensions are subject to change without notice.**

Materials

The following materials are used in the production of sheet, profiles and formed parts by A.L.P. Plastics. Please be aware that A.L.P. Plastics does not provide material certifications unless requested by the customer prior to quoting. Our standard manufacturing practice includes the use of the reclaimed materials exceeding 25%.

White acrylic: Pigment: Ferco CP51 based material 3-5% max. with any of the following acrylic materials.

Hi-Impact Acrylic:

Altuglas Intl. - UL file #E39437, Materials: V-045 blended with DR-101.
Lucite International - UL file #E65769, Materials: CP-81, MS-983 with CP-1000E.
Cyro Industries - UL file #E54671, Materials: H15 with ZK-6.
Plaskolite West Inc. - UL file #E167330, Materials: CA-81 with CA-1000E.

Please visit our web site for the most current material specifications.