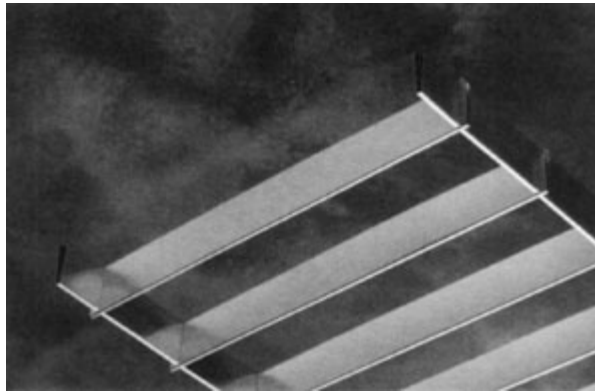


**PBLA
NOMINAL 1-1/2" HIGH
ALUMINUM PARABOLIC
BAFFLES**

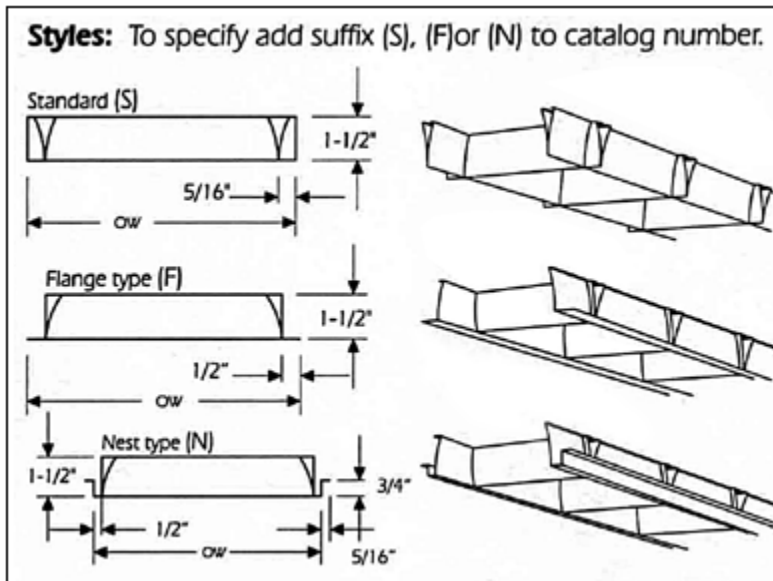


Specifications

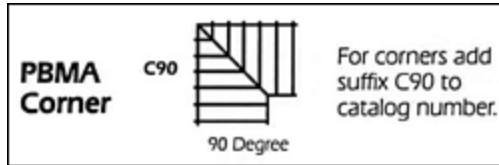
Aluminum Parabolic Baffles shall be as manufactured by A.L.P. Lighting & Ceiling Products, Inc. This panel shall be formed of aluminum to precise parabolic contours. Baffles are available in a standard finish of Semi-Specular Silver. Optional finishes are Specular Silver or Baked White Enamel.

Standard baffle height shall be 1-1/2" nominal. Center to center spacing of cross baffles can vary to achieve desired shielding. Standard overall panel dimensions shall range from 3" x 48" to 12" x 48". Baffles can be furnished in different styles shown.

When ordering specify required baffle spacing, exact width, length and style. For nest type specify drop width (DW) and overall width (OW).



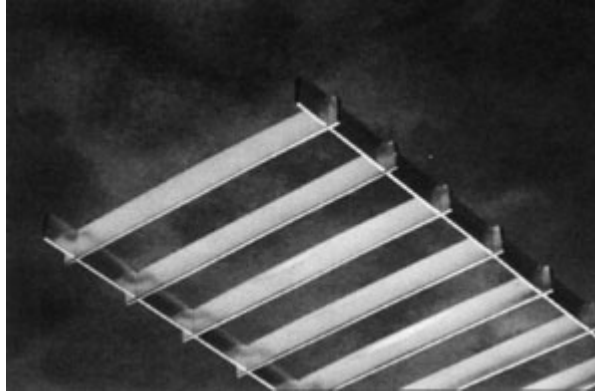
CATALOG NUMBER	DESCRIPTION	SPECIFY* BAFFLE SPACING	SPECIFY* WIDTH	STANDARD LENGTH
PBLA SSS	SEMI-SPECULAR SILVER	2" to 12"***	3" to 12"***	47-3/4" or 48"
PBLA SPS	SPECULAR SILVER	2" to 12"***	3" to 12"***	47-3/4" or 48"
PBLA W	BAKED WHITE ENAMEL	2" to 12"***	3" to 12"***	47-3/4" or 48"



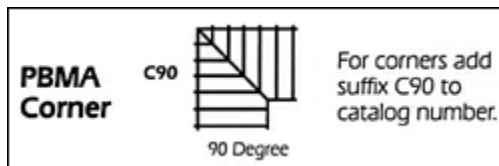
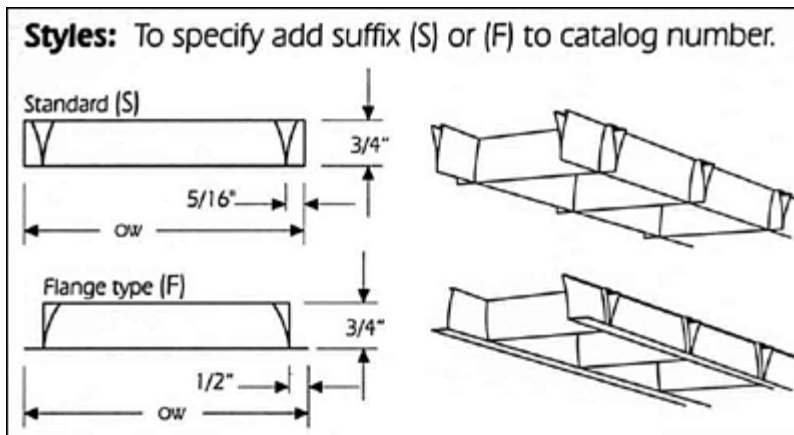
**PBMA
NOMINAL 3/4" HIGH
ALUMINUM PARABOLIC
BAFFLES**

Specifications

Specifications same as PBLA except standard baffle height shall be fixed at a nominal 3/4".



CATALOG NUMBER	DESCRIPTION	SPECIFY* BAFFLE SPACING	SPECIFY* WIDTH	STANDARD LENGTH
PBMA SSS	SEMI-SPECULAR SILVER	1-1/2" to 6"***	3" to 12"***	47-3/4" or 48"
PBMA SPS	SPECULAR SILVER	1-1/2" to 6"***	3" to 12"***	47-3/4" or 48"
PBMA W	BAKED WHITE ENAMEL	1-1/2" to 6"***	3" to 12"***	47-3/4" or 48"



When ordering specify required baffle spacing, exact width, length and style.

*Recommended spacing is 1-1/2" or 2"

**Specify