

LED-8090M 120W LED for HID Retrofit for Shoebox/Wallpack



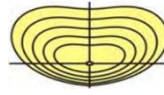
Models

LED-8090MXT3, 120-277VAC, ULus, 4000K or 5000K CCT, E39

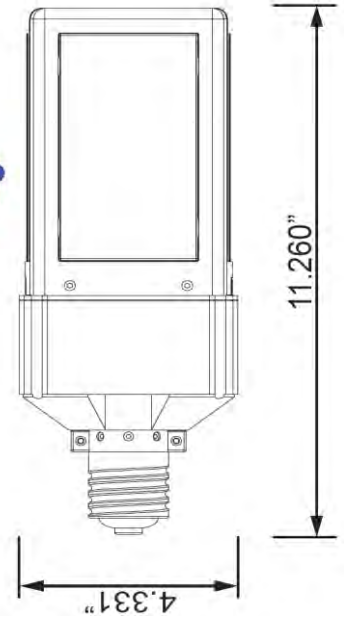
LED-8090MXC3, 120-347VAC, cUL, 4000K or 5000K CCT, E39

Features

- > 120W LED Replaces 400W MH or HPS HID Lamps
- > Rotatable base enables user to accurately direct output to target
- > Designed for Horizontal installations
- > UL approved for damp environments and enclosed fixtures
- > Advanced active cooling: Active cooling and dynamic temperature control
- > 50,000 hour rated LED life (supported by LM80 and ISTMT reports (see website))
- > 5 Year Limited Warranty - see website for details
- > UL1598C retains fixture UL Listing
- > Rated for enclosed fixture



Type III

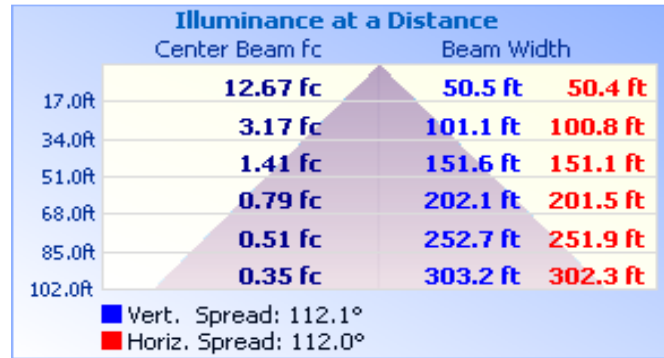


Technical Specifications

Models US/CAN	LED-8090M4T3	LED-8090M5T3	LED-8090M4C3	LED-8090M5C3
	USA		Canada	
CCT	4000K	5000K	4000K	5000K
Power Consumption	120 watts			
Replaces	400 MH/HPS			
Mounting	E39			
Voltage	120-277VAC		120-347VAC	
LED Type	CREE XTE			
Beam Angle	Type III			
Dimmable	No			
Operating Temp	-40°F - +122°F			
Rated R70 Life	Up to 50,000 Hrs.			
Warranty	5 Year Limited*			

	MODEL	DLC CODE
	LED-8090M5T3	PW6QDNFD
Approved Categories:		
Replacement Lamps for Outdoor Pole/Arm-mounted Area and Roadway Luminaires (Type B)		

Lux Distance Curve



Installation Notes:

- Ballast must be bypassed
- Installing surge/lightning protectors is highly recommended
- Removing the reflector is recommended

LED Power Consumption (Watts)	HID Power Consumption (Watts)	HID Ballast Power Consumption (Watts)	Total Savings (Watts)	Annual Energy Savings (14 hrs/day)	Lifetime Energy Savings (over 50,000 hrs)
120	400	80	360	\$202	\$1,980.00

LM79 Specifications	Yes	Yes	Yes	Yes
Power (W)	120	120	120	120
CCT	4144	5000	4144	5000
Light Output	9584	10566	9584	10566
Efficacy	81	91	81	91
THD @ 277V	18.86%	19.23%	18.86%	19.23%
PF @ 277V	0.918	0.918	0.918	0.918
CRI:	84	76.4	84	76.4
R9	18	0	18	0
Duv	8E-04	0.006	8E-04	0.006
Packaging	9 / Master Carton			
Unit	6.6"x 6.6"x 12.9" 2.9lbs.			
Master	20.7"x 18.5" x 13.8" 25.5 lbs.			

Mounting Orientation			Minimum Fixture Size Requirements (inches)	
Base Up	Base Down	Horiz		
			Length	13.26
			Width	6.33
			Height	6.33
Approved			Cu. Inches	531.3



188 S. Northwest Highway • Cary, IL 60013
(847) 380-3540 • FAX: (847) 380-3542
www.led-llc.com

