

LED-8088E 50W LED METAL HALIDE BALLAST COMPATIBLE FOR SHOEBOX/WALLPACK

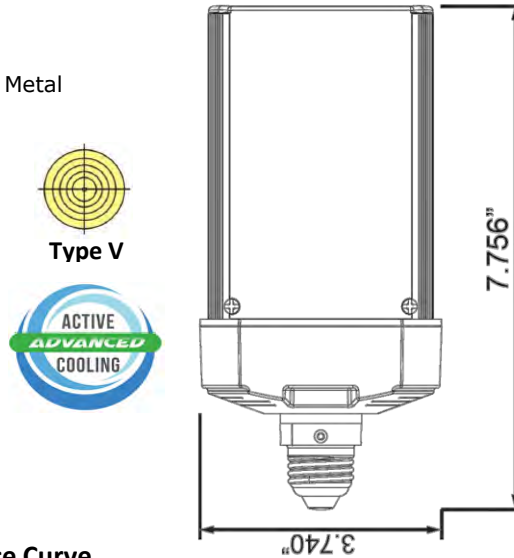


Models

LED-8088EXX-MHBC, 4000K or 5700K CCT, E26

Features

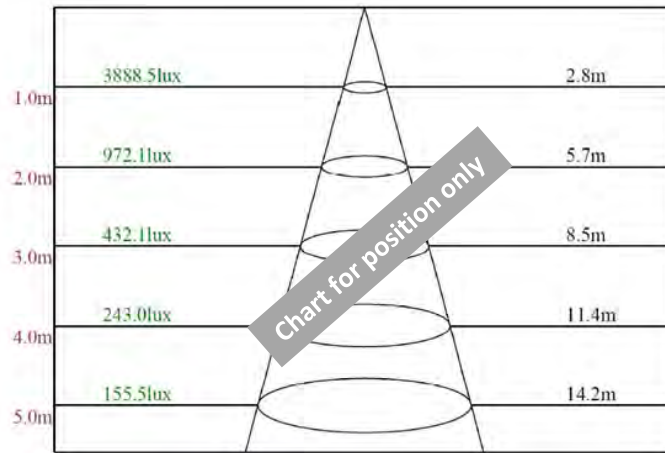
- 50 Watt LED Replaces existing 150w or 175w Metal Halide Lamp
- Operates with pulse start and probe start magnetic 150W & 175W Metal Halide Ballasts only
- Optimized for High Bay HID fixture with PC or Glass Globe
- Type V Optics
- UL Component approved for damp environments (USA & Can)
- Advanced active cooling, Sunon Mag-lev >70,000 hr. fan with temperature control ensures long LED life
- E26 Edison Base
- >50,000 rated LED life
- 5 year limited warranty (see website for details)
- Rated for enclosed fixture



Technical Specifications

Models US/CAN	LED-8088E40-MHBC	LED-8088E57-MHBC
CCT	4000K	5700K
Power Consumption	50 watts	
Total Wattage w/175w M57 Ballast	77.8	
Total Wattage w/150w M102/M81 Ballast	124	
Replaces	150W & 175W MH	
Mounting	E26	
Compatible Metal Halide Ballasts	150W & 175W Pulse or Probe Start Ballasts	
LED Type	2835	
Beam Angle	Type V	
Dimmable	No	
Operating Temp	-40°F - +122°F	
Rated R70 Life	Up to 50,000 Hrs.	
Warranty	5 Year Limited*	

Lux Distance Curve



Beam angle of C90plane109.74

LM79 Specifications	Yes	Yes
Power (W) w/175W Ballast	77.8	77.8
CCT	3947	5826
Light Output	6079	5984
Efficacy	116	115
THD @ 277V	n/a	n/a
PF @ 277V	n/a	n/a
CRI:	n/a	n/a
R9	n/a	n/a
Duv	n/a	n/a
Packaging	9 / Master Carton	
Unit	5.3"x 4.7"x 10.1" 1.8lbs.	
Master	16.7"x 15" x 10.8" 13.8 lbs.	

LED Power Consumption (Watts)	HID Power Consumption (Watts)	HID Ballast Power Consumption (Watts)	Total Savings (Watts)	Annual Energy Savings (14 hrs/day)	Lifetime Energy Savings (over 50,000 hrs)
77.8	250	37.5	172.2	\$97	\$947.10

Mounting Orientation			Minimum Fixture Size Requirements (inches)	
Base Up	Base Down	Horiz	Length	Width
			9.7	5.7
Approved	Approved	Approved	Height	5.7
			Cu. Inches	315.2



188 S. Northwest Highway • Cary, IL 60013
 (847) 380-3540 • FAX: (847) 380-3542
 www.led-llc.com

