

LED-8024M-A 45W LED for HID Retrofit for Post Top / Area



Models

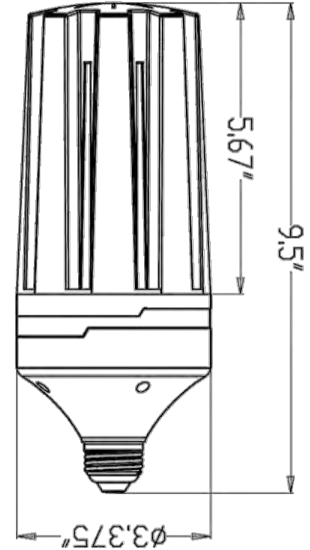
LED-8024MXX-A, 120-277VAC, cULus, 3000K, 4000K or 5700K CCT, E39
 LED-8024MXXC-A, 347VAC, cUL, 3000K, 4000K or 5700K CCT, E39

Features

- > 45W LED Replaces 175W MH or HPS HID Lamps
- > UL approved for damp environments and enclosed fixtures
- > Advanced active cooling: Active cooling and dynamic temperature control

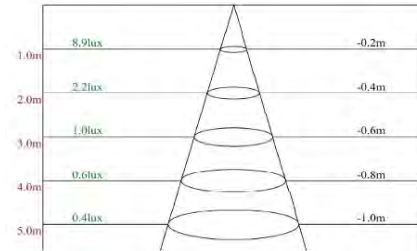
MODEL	DLC CODE
LED-8024M30-A	P28JSPC3
LED-8024M40-A	PKBAXMCM
LED-8024M57-A	PRSHGKM3

Approved Categories:
 Replacement Lamps for Outdoor Pole/Arm-mounted Decorative Luminaires (Type B)



Technical Specifications						
Models US/CAN	LED-8024M30-A	LED-8024M40-A	LED-8024M57-A	LED-8024M30C-A	LED-8024M40C-A	LED-8024M57C-A
CCT	3000K	4000K	5700K	3000K	4000K	5700K
Power Consumption	45 watts					
Replaces	175 MH/HPS					
Mounting	E39					
Voltage	120-277VAC (USA & CAN) 347V (Canada)					
LED Type	Samsung					
Beam Angle	360°					
Dimmable	Yes					
Operating Temp	-40°F - +122°F					
Rated R70 Life	Up to 50,000 Hrs.					
Warranty	5 Year Limited*					
LM79 Specifications	No	Yes	Yes	No	Yes	Yes
Power (W)	45.21	43.58	44.02	45.21	43.58	44.02
CCT	30006	4033	5792	30006	4033	5792
Light Output	3698	5328	5561	3698	5328	5561
Efficacy	82	122	126	82	122	126
THD @ 277V	<20%	<20%	<20%	<20%	<20%	<20%
PF @ 277V	95	>90	>90	95	>90	>90
CRI:	83	>80	>80	83	>80	>80
R9	n/a	21	19	n/a	21	19
Duv	n/a	-0.0015	0.0016	n/a	-0.0015	0.0016
Packaging	9/ Master Carton					
Unit	4.7" X 4.7" X 14.9"					
Master	14.8" X 10" X 15.5"					

Lux Distance Curve



Installation Notes:

- Ballast must be bypassed
- Installing surge/lightning protectors is highly recommended

LED Power Consumption (Watts)	HID Power Consumption (Watts)	HID Ballast Power Consumption (Watts)	Total Savings (Watts)	Annual Energy Savings (14 hrs/day)	Lifetime Energy Savings (over 50,000 hrs)
45	175	35	165	\$93	\$908

Mounting Orientation			Minimum Fixture Size Requirements (inches)	
Base Up	Base Down	Horiz		
			Length	11.5
			Width	5.75
			Height	5.75
Approved	Approved	Approved	Cu. Inches	380.2



188 S. Northwest Highway • Cary, IL 60013
 (847) 380-3540 • FAX: (847) 380-3542
 www.led-llc.com