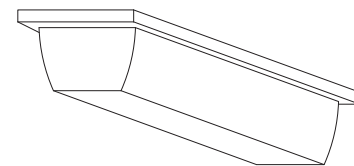


# MOLDED LENSES

## Series I43



Series I43



### Series I43

Molded lenses for commercial, residential and Institutional, indoor and outdoor applications

Materials: Clear acrylic, white acrylic, clear polycarbonate and white polycarbonate

please inquire for further material options

### Description

These injection molded lenses are manufactured using clear and white acrylic or clear and white polycarbonate material. The prism design provides the ultimate light control with maximum efficiency. The polycarbonate version of these lenses will protect the light source against abuse, such as severe impact and vandalism.

### Application

These molded lenses are suitable for interior and exterior applications.

### Lamp Data

Series I43 components are capable of being used with HID, incandescent, CFL and various other fluorescent lamps depending on the luminaire.

The NEC requires luminaires listed for use with Metal halide lamps to either utilize an open-fixture rated lamp or a lamp containment barrier recognized by testing per Underwriters Laboratory (UL)

Safety Standard 1598 clause 16.29 or equivalent. Records of this testing are the responsibility of the luminaire manufacturer.

The reflector/housing design will impact operating temperatures. Thermal survey testing is advised.

### Ordering Information

Please call 877-257-5841 for price and delivery. Specify size when placing an order. Typical lead time is four to six weeks.

### Notice

A.L.P. Lighting Components, Inc. assumes no responsibility for suitability of luminaires and applications. The use of our molded products at excessive temperatures with high UV output light sources will cause degradation of the material. Information regarding the use of lenses and refractors with Metal Halide lamps can be found in the Products/Technical Resources section of our web site at [www.alplighting.com](http://www.alplighting.com).



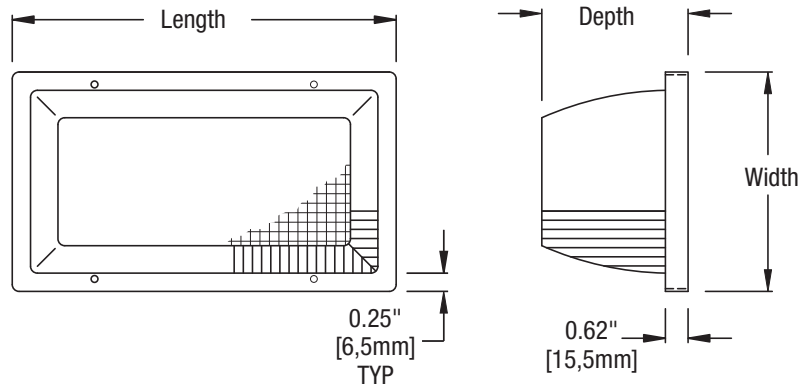
# Series I43

## Series I43

Size	Depth
5-1/4" x 7-5/8"	4"
6" x 10-1/2"	4"
10-1/2" x 10-1/2"	4"

### Materials

See the LexaLite brand price list for current part numbers and material offerings. Up-to-date and detailed material specifications can be found in the Products/Technical Resources section of our web site at [www.alplighting.com](http://www.alplighting.com).



**These drawings are for reference only. Actual part dimensions will vary.**  
**Customer is urged to review actual samples to confirm fit and function.**  
**All specifications and dimensions are subject to change without notice.**

