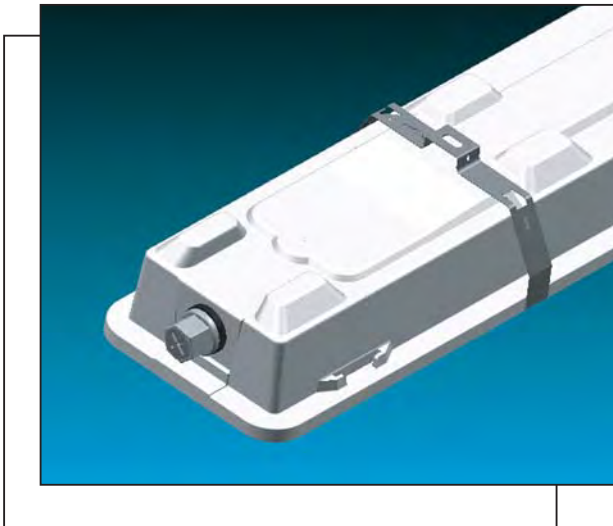


NEW & IMPROVED



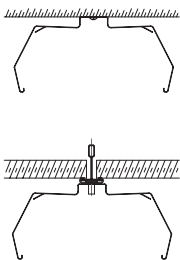
Brackets for Vapor Tight Fixtures

A.L.P. Lighting offers a new bracket system for the TMW and Sentry vapor tight enclosures. This versatile new bracket is revolutionary in its simplicity.

BENEFITS

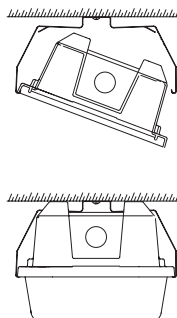
- Easiest Installation Ever
-Bracket installs first, then fixture snaps securely into place
- Corrosion Resistant Stainless Steel
- Mounting method does not require stud in fixture

MOUNTING BRACKET



Install Mounting Bracket
- Screw Hardware by Others
- T-Bar Mounting Hardware by Others

FIXTURE INSTALLATION

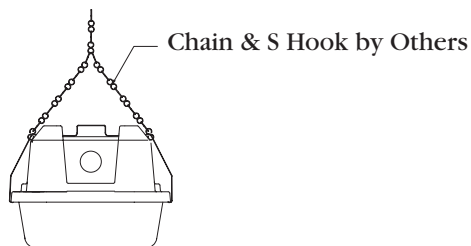


Install One Side of Housing into Bracket

Rotate Up and Snap Other Side of Housing into Bracket

Install diffuser once unit is securely installed with bracket.

CHAIN HANGING



Chain & S Hook by Others

Catalog No	Description	Pack	Ctn Qty
BRKTT22PK	Mounting Bracket (2) for TMW Enclosure	2	80
BRKTS22PK	Mounting Bracket (2) for Sentry Enclosure	2	80

The Department of Building and Safety of the City of Los Angeles certifies that the A.L.P. Lighting BRKTS2 and BRKTT2 comply with the standards required for earthquake safety.



A.L.P.

LIGHTING COMPONENTS, INC.

CORPORATE HQ: CHICAGO, IL U.S.A.

WEB SITE: WWW.ALPLIGHTING.COM

Contact us at: (800) 621-1348

Fax: (800) 438-2500

© 2003 A.L.P. LIGHTING COMPONENTS INC., PRINTED IN U.S.A. GEBRKT 0403