

ELPLHA Louver for EL Troffers

2x2, 2x4 2" Louver



EL PLHA 2x4

Description

Elegant OEM package with high efficiency shielding utilizes the latest materials and manufacturing processes to create a crisp louver finish that offers long-term durability and high efficiency light conditions. It provides uniform low brightness, excellent visual control, and the appearance of a much deeper parabolic at a lower cost.

Features and Benefits

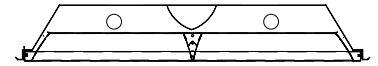
- Once installed, it's virtually maintenance free.
- Louver available in semi-specular silver or baked white enamel finish.
- Housing features snap-in ends, socket plates, access plates and ballast cover for easy assembly.
- Housing is embossed for rigidity. Includes corner tie points for safety wire supports.
- Universal ends and socket plates fit both 2x2 and 2x4 housings for convenient parts inventory management.

Application

For use with standard 15/16" grid ceiling systems. For commercial and municipal buildings, office task areas, retail stores, medical facilities and other applications.

Ordering Information

Please call 877-257-5841 for price and delivery.



ELPLHA OEM Shielding and Fixture Kit

2x2, 2x4 2" Louver
for use with 2x2 and 2x4
EL shallow troffer

Specifications

Finish

Louver: Semi-specular silver
or baked white enamel
Housing: White polyester polymer
with a minimum 82% reflectivity

Lamps

2, 3, or 4-lamp T8 fluorescent

Housing

3-3/4" deep. Die-formed standard
22-gauge or 20-gauge steel

Ends

Can be secured with #8 x 3/8"
screw or 1/8" pop rivet with
1/8" to 3/16" grip (not included)

Socket Plate

Available in 2, 3, 4 and U-lamp
Sockets are tilted forward to
provide positive spring action
contact with lamps

New Low Profile Ballast Cover

installs without tools

Access Plate

Snaps in for easy ballast lead
hook-up without removing door
or ballast cover

Hinge and Latch

Full box flange static louver provides
positive cam latching and pin hinge
mechanism for easy re-lamping

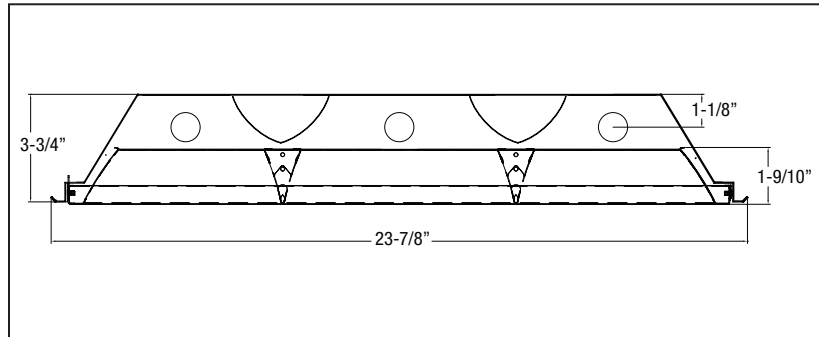
ELPLHA Louver for EL Troffers

2x2, 2x4 2" Louver

Fixture Kit Numbers

Part Number	Description
EL-2x2-20-2-CLD	2x2 Housing, 20GA, 2-lamps
EL-2x2-20-3-CLD	2x2 Housing, 20GA, 3-lamps
EL-2x2-20-4-CLD	2x2 Housing, 20GA, 4-lamps
EL-2x2-23-2-CLD	2x2 Housing, 23GA, 2-lamps
EL-2x2-23-3-CLD	2x2 Housing, 23GA, 3-lamps
EL-2x2-23-4-CLD	2x2 Housing, 23GA, 4-lamps
EL-2x4-20-2-CLD	2x4 Housing, 20GA, 2-lamps
EL-2x4-20-3-CLD	2x4 Housing, 20GA, 3-lamps
EL-2x4-20-4-CLD	2x4 Housing, 20GA, 4-lamps
EL-2x4-23-2-CLD	2x4 Housing, 23GA, 2-lamps
EL-2x4-23-3-CLD	2x4 Housing, 23GA, 3-lamps
EL-2x4-23-4-CLD	2x4 Housing, 23GA, 4-lamps

Product Dimensions



T8 Rotary Snap-in Lampholder

Lampholder Type	T8
17mm Shunted Instant Start	F1232T8-S
17mm Non-Shunted Rapid Start	F1233T8-S

Note

Current EL fixture ballast covers, STL24BC and STL22BC can not be used with the 2" ELPLHA louvers. Correct ballast cover part number is 370-40C for 2'x4' and 370-20C for 2'x2' fixture.

Assembled Louver

Part Number	Description
Semi-specular Silver Louver	
ELPLHA 2432SSS	ELPLHA 2" 2x4, 32 Cells, SSS Finish (4x8)
ELPLHA 2424SSS	ELPLHA 2" 2x4, 24 Cells, SSS Finish (3x8)
ELPLHA 2418SSS	ELPLHA 2" 2x4, 18 Cells, SSS Finish
ELPLHA 2412SSS	ELPLHA 2" 2x4, 12 Cells, SSS Finish
ELPLHA 2216SSS	ELPLHA 2" 2x2, 16 Cells, SSS Finish
ELPLHA 2209SSS	ELPLHA 2" 2x2, 9 Cells, SSS Finish
ELPLHA 2206SSS	ELPLHA 2" 2x2, 6 Cells, SSS Finish
Baked White Enamel Louver	
ELPLHA 2432BWE	ELPLHA 2" 2x4, 32 Cells, BWE Finish (4x8)
ELPLHA 2424BWE	ELPLHA 2" 2x4, 24 Cells, BWE Finish (3x8)
ELPLHA 2418BWE	ELPLHA 2" 2x4, 18 Cells, BWE Finish
ELPLHA 2412BWE	ELPLHA 2" 2x4, 12 Cells, BWE Finish
ELPLHA 2216BWE	ELPLHA 2" 2x2, 16 Cells, BWE Finish
ELPLHA 2209BWE	ELPLHA 2" 2x2, 9 Cells, BWE Finish
ELPLHA 2206BWE	ELPLHA 2" 2x2, 6 Cells, BWE Finish

Unassembled Louver

Part Number	Description
Unassembled Semi-specular Silver Louver	
UNELPLHA2432SSS	UNELPLHA 2" 2x4, 32 Cells, SSS Finish (4x8)
UNELPLHA2424SSS	UNELPLHA 2" 2x4, 24 Cells, SSS Finish (3x8)
UNELPLHA2418SSS	UNELPLHA 2" 2x4, 18 Cells, SSS Finish
UNELPLHA2412SSS	UNELPLHA 2" 2x4, 12 Cells, SSS Finish
UNELPLHA2216SSS	UNELPLHA 2" 2x2, 16 Cells, SSS Finish
UNELPLHA2209SSS	UNELPLHA 2" 2x2, 9 Cells, SSS Finish
UNELPLHA2206SSS	UNELPLHA 2" 2x2, 6 Cells, SSS Finish
Unassembled Baked White Enamel Louver	
UNELPLHA2432BWE	UNELPLHA 2" 2x4, 32 Cells, BWE Finish (4x8)
UNELPLHA2424BWE	UNELPLHA 2" 2x4, 24 Cells, BWE Finish (3x8)
UNELPLHA2418BWE	UNELPLHA 2" 2x4, 18 Cells, BWE Finish
UNELPLHA2412BWE	UNELPLHA 2" 2x4, 12 Cells, BWE Finish
UNELPLHA2216BWE	UNELPLHA 2" 2x2, 16 Cells, BWE Finish
UNELPLHA2209BWE	UNELPLHA 2" 2x2, 9 Cells, BWE Finish
UNELPLHA2206BWE	UNELPLHA 2" 2x2, 6 Cells, BWE Finish

Notice

Dimensions subject to change without notice.

This product is an OEM component kit requiring final assembly by a qualified OEM fixture manufacturer.

MAR2010



6333 Gross Point Road • Niles, IL 60714 USA
773-774-9550 Tel. • 773-774-9331 Fax • Direct
877-257-5841 Tel. • 800-438-2500 Fax • Toll Free
www.alplighting.com