

ELHT Shielding Kit for EL Troffers

2x2, 2x4



ELHT 2x4

Elegant Design

The ELHT provides the look and feel of a deep EL luminaire — subtle soft indirect elements, interest and depth across the ceiling plane — with a kit that consumes minimal space and material.

Efficient Solution

The contoured panels of the unit are high transmission acrylic that provide a low-brightness glow, with the majority of the light controlled through the center optical element.

Ordering Information

Example: ELHT22-CL

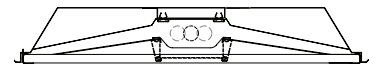
ELHT	22	—	CL
Series	Size		Finish
ELHT	22 - 2x2 24 - 2x4		CL - High transmission clear overlay

Application

For use with standard Steel Craft EL housing.

Ordering Information

Please call 877-257-5841 for price and delivery.



ELHT

2x2, 2x4

Specifications

Door Frame

Features positive latching mechanism for easy re-lamping.

Direct Optical Component

High reflectance optical engine delivers main beam focus through the revolutionary Dur-iFlex™ HT diffusing panel. With 93% transmission and 89% haze, the result is extraordinary control and efficiency.

Diffuser Surround:

(2) Sloping high transmission acrylic diffuser panels manage contrast and generate soft, even, higher angle luminance.

Reflector

High reflectance white reflector distributes light through both optical elements. Optional WhiteOptics™ reflector available.

Luminaire Type

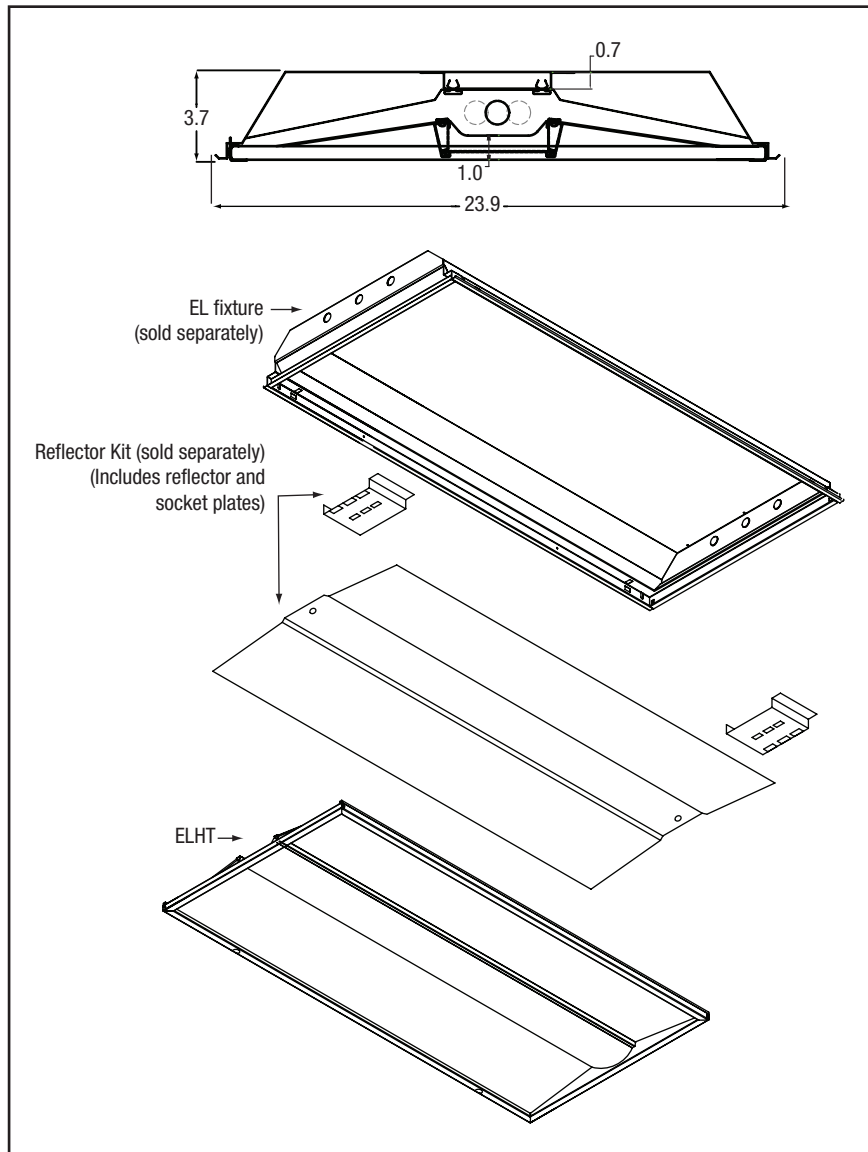
Fits standard Steel Craft EL fixture body. 2X2' and 2X4'.

Lamps

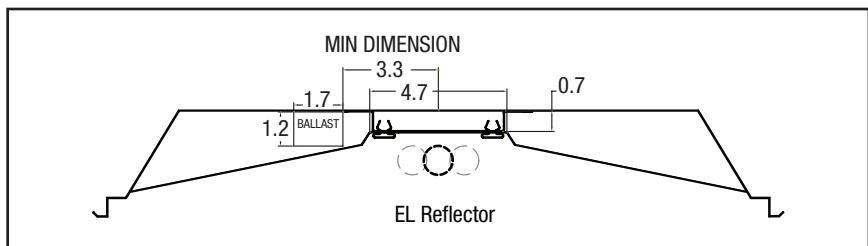
1 or 2-lamp T8 or T5 fluorescent reflector kits available.

ELHT Shielding Kit for EL Troffers

2x2, 2x4



Reflector Kits	
RK124MW	REF. KIT COMBO 1L & 2L , 4FT T8/T5, MW
RK124WO	REF. KIT COMBO 1L & 2L , 4FT T8/T5, WO
RK124MWIWO	REF. KIT COMBO 1L & 2L , 4FT T8/T5, MW REFL. WO INSERT
RK124WOVWO	REF. KIT COMBO 1L & 2L , 4FT T8/T5, WO REFL. WO INSERT
RK122MW	REF. KIT COMBO 1L & 2L , 2FT T8/T5, MW
RK122WO	REF. KIT COMBO 1L & 2L , 2FT T8/T5, WO
RK122MWIWO	REF. KIT COMBO 1L & 2L , 2FT T8/T5, MW REFL. WO INSERT
RK122WOVWO	REF. KIT COMBO 1L & 2L , 2FT T8/T5, WO REFL. WO INSERT



Notice

A.L.P. Lighting Components, Inc., assumes no responsibility for suitability of these materials in any luminaire or application. Please test for fit and function prior to ordering project quantities.



A.L.P.
LIGHTING COMPONENTS, INC.

6333 Gross Point Road • Niles, IL 60714 USA
773-774-9550 Tel. • 773-774-9331 Fax • Direct
877-257-5841 Tel. • 800-438-2500 Fax • Toll Free
www.alighting.com