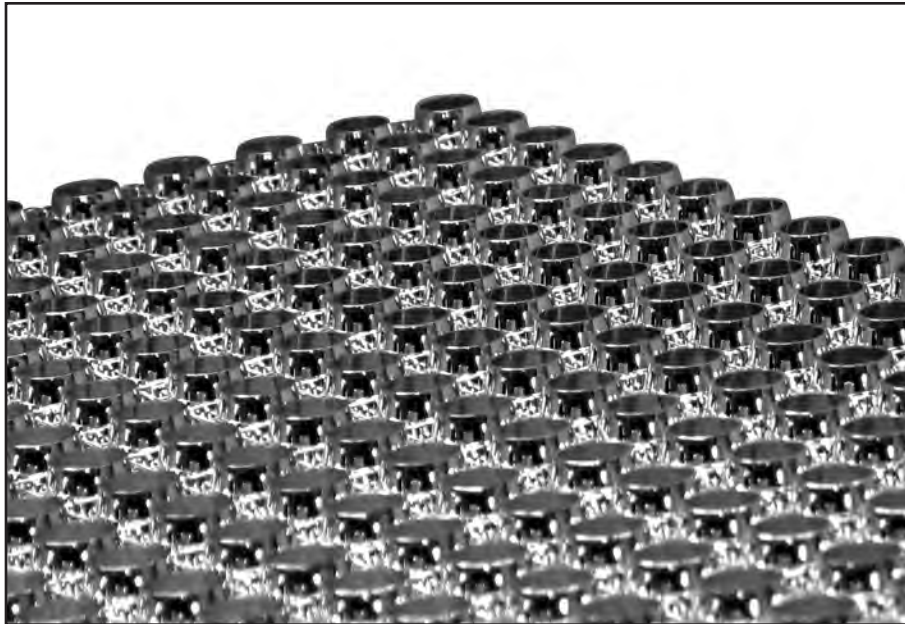


# Deco-Round™ 33

“Cone within a Cube”



Deco-Round 33

### Description

Deco-Round™ 33 is a medium scale decorative low brightness louver with two individual shapes integrated into a single design element - “a cone within a cube”. Parabolic cones of 1” in diameter are set into an overall 1-5/16” cube louver pattern. Louvers provide 40° shielding from all angles.

### Application

Conference rooms, commercial and municipal buildings, entries and corridors, and decorative ceilings.

### Ordering Information

Please call 877-257-5841 for price and delivery.

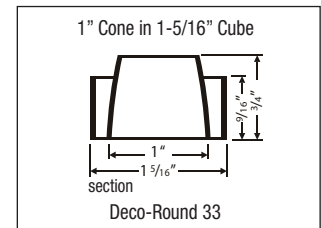
### Notice

A.L.P. Lighting Components, Inc. assumes no responsibility for suitability of luminaires and applications.

## Deco-Round 33

The unconventional parabolic louver. A medium scale decorative low brightness louver suitable for Office, Retail, Commercial and Medical environments and decorative ceilings.

Material: Polystyrene

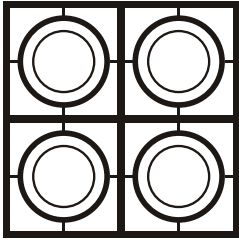


Louver	Nominal Size	Material / Finish	Fabrication Options
<b>Deco-Round 33</b> 1" cone in 1-5/16" cube	<b>14</b> - 11-3/4" x 47-3/4" <b>22</b> - 23-3/4" x 23-3/4" <b>24</b> - 23-3/4" x 47-3/4"	<b>SPS</b> - Specular Silver, Polystyrene	<b>CUT</b> - Cut to Size <b>AN</b> - Avoida-Notch Framing <b>Note:</b> Cut to size - on Cut to Size orders O.D. must be provided. Cut to Size louvers must be able to fit directly into the doorframe. <b>Note:</b> Avoida-Notch - O.D. must be provided. Avoida-Notch to be used when louver cannot fit into the doorframe.
<b>enter DR33</b>	<b>enter size</b>	<b>enter finish</b>	<b>enter options</b>

**To Order:** Select description from each column and include “options” if applicable.

**Note:** All Deco-Round louvers are destaticized before and after fabrication to ensure a high quality product.

# Deco-Round 33



1' x 4'  
2' x 2'  
2' x 4'

plan

## Specifications

Parabolic Louvers shall be Deco-Round 33 as manufactured by A.L.P. Lighting Components, Inc. These louvers shall be one piece injection molded of polystyrene base material. Deco-Round 33 cell sizes - 1" diameter cone set into a 1-5/16" cube louver pattern, providing 40° shielding from all angles.

**Lighting Fixtures** - Panels will sometimes require additional cutting for proper installation. Louver panels can also be specified with the Avoida-Notch™ optional frame - to specify add suffix- AN100 to the base catalog number. For color designation use B for black, W for white. For specular finish use SPS.

**Lighted Ceilings** - Louver panels are designed to fit any standard 1' x 4', 2' x 2' or 2' x 4' grid system.

**Special Sizes** - Special sizes are available, contact A.L.P.

## Parabolic Data

### General

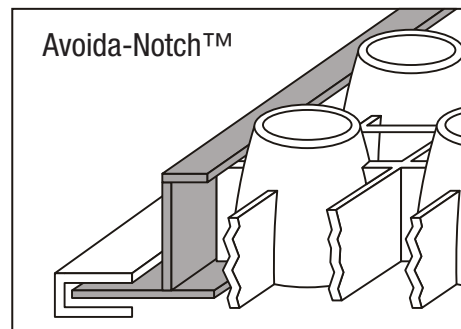
A.L.P. parabolic louvers are the most sophisticated and optically precise lighting control panels available in the industry. The proper installation, care and handling of these louvers will ensure excellent light control and product serviceability for many years.

### Care & Handling

Great care should be exercised when handling parabolic louvers, avoiding contact with oily and/or foreign substances. Always handle louver panels with clean white gloves - never use bare hands. Always install these louvers after the space has been completed and is ready for occupancy - never during construction.

## Avoida-Notch™

A black, white or specular extruded plastic frame welded to the louver itself, allows for easy installation of the louver into a fixture doorframe and at the same time Avoida-Notch eliminates the halo effect often associated with notching. This makes notching obsolete. Avoida-Notch is also available in colors to match any of the louvers you order/specify. Please specify AN100 with special A.L.P. welding technique and the color of your choice. (Refer to ordering information on front page.) Avoida-Notch can also be inverted so that the flange is at the top of the louver. This will allow the louver to sit below the doorframe or grid ceiling.



This drawing is for reference only. Actual part dimensions will vary. Customer is urged to review actual samples to confirm fit and function. All specifications and dimensions are subject to change without notice.