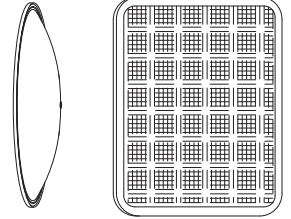


# TRAFFIC AND PEDESTRIAN SIGNAL LENSES

## 900 Series



900 Series



### 900 Series

Signal Lenses  
8.35" diameter  
12" diameter

Pedestrian Lenses  
9.33" x 8.69"  
12" x 12"

TRAFFIC CONTROL LENSES

Material: Polycarbonate

### Description

LexaLite's 900 Series is an extensive line of polycarbonate traffic control lenses, including traffic signal and pedestrian lenses. All of the 900 Series products are manufactured from polycarbonate and offer durability and resistance to UV discoloration. LexaLite traffic signal and pedestrian lenses meet or exceed I.T.E. (Institute of Transportation Engineers) chromaticity requirements, while our traffic signal lenses meet or exceed I.T.E. photometric distribution requirements.

### Traffic Signal Lenses

LexaLite offers 8" and 12" diameter signal lenses in standard I.T.E. colors. Both versions can be produced in custom colors. LexaLite also offers special arrow versions (down, left, right, and up) in amber, green, and red.

### Pedestrian Lenses

LexaLite pedestrian signal lenses are available in 9" x 9" and 12" x 12" sizes in standard I.T.E.

colors or custom colors which are compatible with several international standards. LexaLite provides pedestrian lenses with common icons. We have full capabilities to provide lenses with custom figures or icons. Please contact your LexaLite representative for more information.

### Ordering Information

Please call 877-257-5841 for price and delivery. Typical lead time is four to six weeks.

### Service Life

Polycarbonate refractors are subject to yellowing especially when used with high ultraviolet output light sources; this effect is enhanced at high temperatures.

### Notice

A.L.P. Lighting assumes no responsibility for suitability of luminaires and applications. The use of our molded products at excessive temperatures with high UV output light sources will cause degradation of the material.



# 900 Series

## Pedestrian Lenses

### 9" x 9" Pedestrian Lenses

Lunar White - "Walk"  
 Portland Orange - "Don't Walk"  
 Lunar White - Walking Man  
 Portland Orange - Hand

Blank Versions:

Red, Green, Lunar White, Portland Orange,  
 and Clear

### 12" x 12" Pedestrian Lenses

Lunar White - "Walk"  
 Portland Orange - "Don't Walk"  
 Lunar White - Walking Man  
 Portland Orange - Hand  
 Red - "X"

Blank Versions:

Red, Green, Lunar White, Portland Orange,  
 and Amber

## Traffic Lenses

### 8" Diameter and 12" Diameter

#### Signal Lenses

Amber, Green, Red, Portland Orange,  
 Lunar White, and Clear

### 8" Diameter and 12" Diameter

#### Arrow Lenses

Amber - Arrow Down  
 Amber - Arrow Left  
 Amber - Arrow Right  
 Amber - Arrow Up  
 Green - Arrow Down  
 Green - Arrow Left  
 Green - Arrow Right  
 Green - Arrow Up  
 Red - Arrow Down  
 Red - Arrow Left  
 Red - Arrow Right  
 Red - Arrow Up

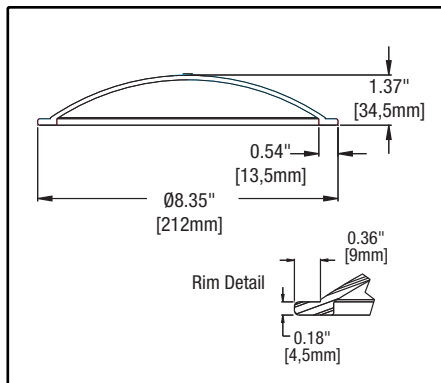
## Material

See the LexaLite brand price list for current part numbers and material offerings. Up-to-date and detailed material specifications can be found in the Products/Technical Resources section of our web site at [www.alplighting.com](http://www.alplighting.com).

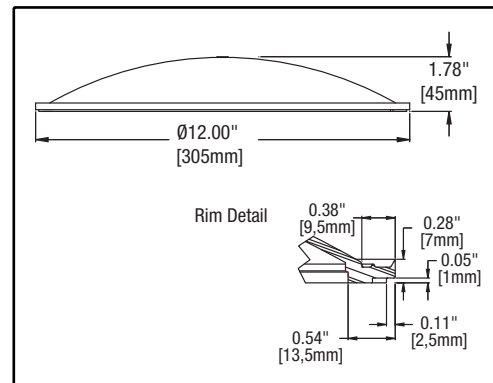
When using a polycarbonate 900 Series Lens, the surface temperature of the lens should not exceed 90°C.

## Photometrics

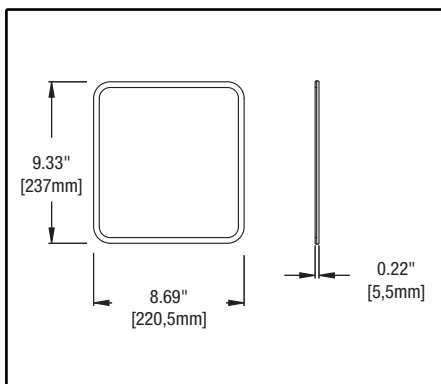
Lens performance is dependent on design of signal head and reflector. While we do not offer standard photometric tests for your review, we can provide independent certification testing for traffic signals with your signal head. Tests are conducted using I.T.E. standard incandescent lamps. Please call your LexaLite representative for additional information.



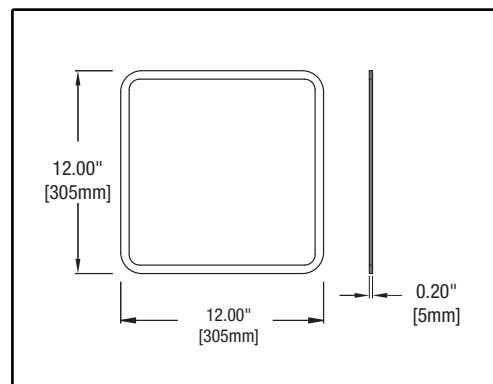
8" Diameter Signal Lens



12" Diameter Signal Lens



9" x 9" Pedestrian Lens



12" x 12" Pedestrian Lens

**This drawing is for reference only. Actual part dimensions will vary.  
 Customer is urged to review actual samples to confirm fit and function.  
 All specifications and dimensions are subject to change without notice.**

