

# PRISMATIC REFLEXOR®

## Model 825



Model 825

### Description

This energy efficient 25" diameter Reflexor® is designed to be used in open or closed luminaires for industrial and commercial lighting. Please see our 825A & 825M Prismatic Lens specification sheet for information on enclosed luminaire performance.

### Application

This Reflexor is suitable for applications for industrial, commercial, and decorative lighting.

### Lamp Data

The Model 825 is capable of being used with up to 1000 watt HID lamps in open bottom, low ambient temperature applications. To achieve best uniformity, LexaLite® recommends using coated metal halide lamps or diffuse high pressure sodium lamps. Please reference the LexaLite Reflexor Standard HID Acrylic Application Recommendations for ambient temperature guidelines. Luminaire design, reflector configuration, lamp position and ambient temperature will affect the inside surface temperature. Thermal tests should be conducted on each luminaire design to confirm appropriate lamp size for the application.

### Ordering Information

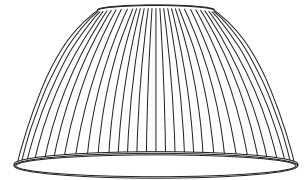
Please call 877-257-5841 for price and delivery. Typical lead time is four to six weeks.

### Service Life

The service life of an acrylic Reflexor is virtually unlimited when used within the recommended temperature limit. Acrylic molded versions of our Prismatic Reflexor series are covered by our 10 year limited warranty. Polycarbonate versions are virtually indestructible and are subject to yellowing when used with high ultraviolet output light sources; this effect is enhanced at high temperatures.

### Notice

A.L.P. Lighting Components, Inc. assumes no responsibility for suitability of luminaires and applications. The use of our molded products at excessive temperatures with high UV output light sources will cause degradation of the material. Information regarding the use of lenses and refractors with Metal Halide lamps can be found in the Products/Technical Resources section of our web site at [www.alplighting.com](http://www.alplighting.com).



## Model 825

13.96" high  
25" diameter

PRISMATIC REFLEXOR  
OPEN OR CLOSED LUMINAIRE  
COMMERCIAL, INSTITUTIONAL,  
DECORATIVE APPLICATIONS

Efficiency: 89.6%  
Uplight: 27.7%  
CIE type: Semi-Direct  
Luminaire spacing Criteria: 1.7

Materials: Acrylic,  
Acrylic Moon Glow™,  
and Polycarbonate

U.S. Patent No. 5,444,606  
Canada Patent No. 1302997  
New Zealand Patent No. 228438  
EU Patent No. 0337351  
Australia Patent No. 608147  
Mexico Patent No. 165.488

800 Series Products:

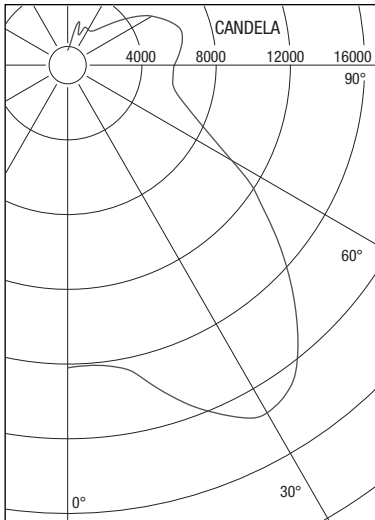
9" Model 809  
11" Model 811  
12" Model 812  
12" Model 812i interface  
12" Model 812 Designer  
16" Model 816  
16" Model 816U lightweight  
16" Model 816i interface  
16" Model 16CDL Conical Drop Lens  
22" Model 822  
22" Model 822GV lightweight  
22" Model 822i interface  
22" Model 22CDL Conical Drop Lens  
22" Model 22SCDL Silicone Conical Drop Lens  
25" Model 825  
25" Models 825A & 825M Prismatic Lenses



**A.L.P.**  
LIGHTING COMPONENTS, INC.  
WEB SITE: [WWW.ALPLIGHTING.COM](http://WWW.ALPLIGHTING.COM)

**LEXALITE**

# Model 825



Report Number: ITL41525  
 Total Luminaire Efficiency: 89.6%  
 CIE Type: Semi-Direct  
 Luminaire Spacing Criteria: 1.7

## Photometrics

The unique design of the 825 permits a broad range of lighting distributions to be achieved efficiently. A 1,000 watt phosphor coated metal halide lamp at 8 inch light center position yields a spacing criteria of 1.7, overall efficiency of 89.6% and 27.7% uplift of the luminaire (ITL41525).

### Lumen Summary

Zone	Lumens	%Lamp	%Fixture
0- 30°	16164	14.1	15.7
0- 40°	29078	25.3	28.2
0- 60°	53626	46.6	52.1
0- 90°	74472	64.8	72.3
90-120°	18971	16.5	18.4
90-130°	23082	20.1	22.4
90-150°	26879	23.4	26.1
90-180°	28536	24.8	27.7
0-180°	103008	89.6	100.

### Luminance Data

#### in Candela/SQ M at 0° plane

Angle	Average
45°	64233
55°	49191
65°	34926
75°	28994
85°	30897

Tested in accordance with IES standards. Lamp is a 1,000 watt phosphor coated metal halide. Lumen rating = 115000. Lamp center located at 8 inches above lower rim.

## Accessories

**Model 825M Lens** 25" diameter lens, designed to enclose Model 825 and distribute light symmetrically.

**Model 825A Lens** 25" diameter lens, designed to enclose Model 825 and distribute light asymmetrically.

### Smooth Collar

For variety of mounting methods.

### Wire Guard

Provides lamp protection, attaches to the Model 825 with clamp band.

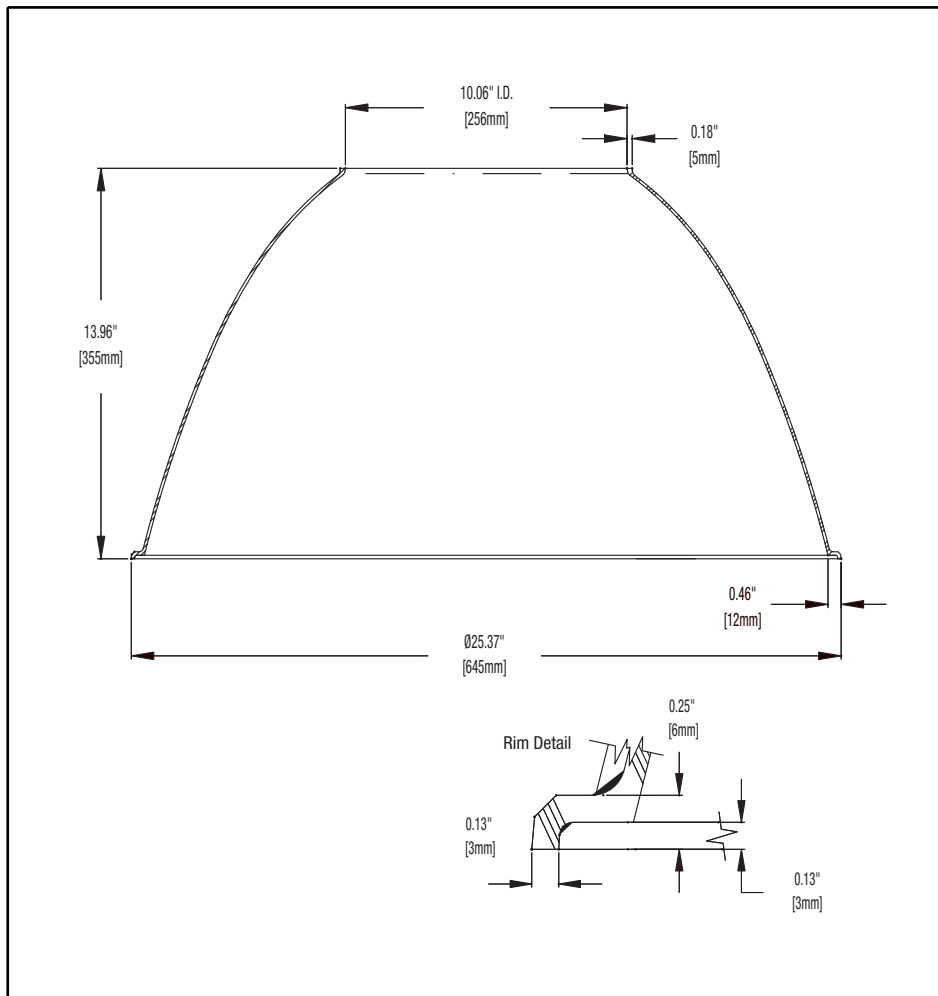
### Stainless Steel Clamp Band

For lens and wire guard attachment.

## Materials

See the LexaLite brand price list for current part numbers and material offerings. Up-to-date and detailed material specifications can be found in the Products/Technical Resources section of our web site at [www.alplighting.com](http://www.alplighting.com).

When using an acrylic Model 825, the surface temperature of the Reflexor should not exceed 80°C. When using a polycarbonate Model 825, the surface temperature of the Reflexor should not exceed 90°C.



**This drawing is for reference only. Actual part dimensions will vary. Customer is urged to review actual samples to confirm fit and function. All specifications and dimensions are subject to change without notice.**