

# PRISMATIC REFLEXOR®

## Model 822TL Conical Lens Tether Lock Assembly



Model 822TL

### Description

LexaLite's Model 822TL features a Tether-Lock Assembly, making routine maintenance fast and easy. This design allows for hands free maintenance; just twist open the bottom lens and let it hang. Secured by a tether, you can use both hands to relamp. Then simply twist the lens back into place, locking it tight with the same tether pin.

### Application

The 822TL is 22" in diameter and is available in acrylic for general lighting applications or polycarbonate for impact-prone applications.

### Lamp Data

The Model 822TL is a UL recognized component suitable for use with a metal halide lamp. Please reference the LexaLite® Reflexor Standard HID Acrylic Application Recommendations for ambient temperature guidelines. For best uniformity, we recommend using coated metal halide lamps or diffuse high pressure sodium lamps. Luminaire design, reflector configuration, lamp position, and ambient temperature will affect the inside surface temperature. Thermal tests should be conducted on each luminaire design to confirm appropriate lamp size for the application.

### Ordering Information

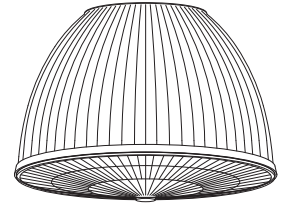
Please call 877-257-5841 for price and delivery. Typical lead time is four to six weeks.

### Service Life

The service life of an acrylic Reflexor is virtually unlimited when used within the recommended temperature limit. Acrylic molded versions of our Prismatic Reflexor series are covered by our 10 year limited warranty. Polycarbonate versions are virtually indestructible and are subject to yellowing when used with high ultraviolet output light sources; this effect is enhanced at high temperatures.

### Notice

A.L.P. Lighting Components, Inc. assumes no responsibility for suitability of luminaires and applications. The use of our molded products at excessive temperatures with high UV output light sources will cause degradation of the material. Information regarding the use of lenses and refractors with Metal Halide lamps can be found in the Products/Technical Resources section of our web site at [www.alplighting.com](http://www.alplighting.com).



### Model 822TL

13.75" high  
22" diameter

PRISMATIC REFLEXOR  
CLOSED LUMINAIRE  
COMMERCIAL, INDUSTRIAL,  
DECORATIVE APPLICATIONS

Efficiency: 94.8%  
Uplight: 25.3%  
CIE type: Semi-Direct  
Luminaire spacing Criteria: 1.7

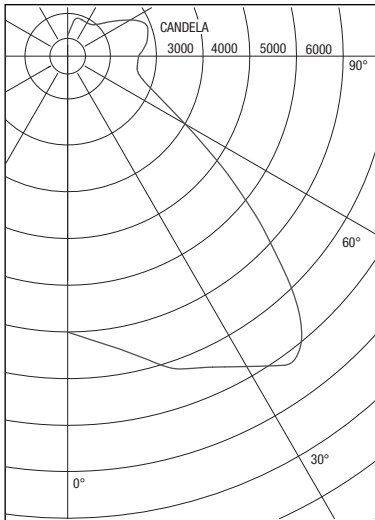
Materials: Acrylic,  
Acrylic Moon Glow™,  
and Polycarbonate

#### 800 Series Products:

9" Model 809  
11" Model 811  
12" Model 812  
12" Model 812i interface  
12" Model 812 Designer  
16" Model 816  
16" Model 816U lightweight  
16" Model 816i interface  
16" Model 16CDL Conical Drop Lens  
22" Model 822  
22" Model 822GV lightweight  
22" Model 822i interface  
22" Model 22CDL Conical Drop Lens  
22" Model 22SCDL Silicone Conical Drop Lens  
25" Model 825  
25" Models 825A & 825M Prismatic Lenses



# Model 822TL



Report Number: ITL49136  
 Total Luminaire Efficiency: 94.8%  
 CIE Type: Semi-Direct  
 Luminaire Spacing Criteria: 1.7

## Photometrics

The unique design of the 822TL permits a broad range of lighting distributions to be achieved efficiently. Adjustments in the light center position produce Spacing Criteria ranging from 1.7–2.0. A 400 watt phosphor coated metal halide lamp at 9.125 inch light center position gives spacing criteria of 1.7, overall efficiency of 94.8% and 25.3% uplight of luminaire (ITL49136).

Lumen Summary			
Zone	Lumens	%Lamp	%Fixture
0- 30°	5998	16.7	17.6
0- 40°	11077	30.8	32.5
0- 60°	19802	55.0	58.0
0- 90°	25474	70.8	74.7
90-120°	5431	15.1	15.9
90-130°	6643	18.5	19.5
90-150°	7952	22.1	23.3
90-180°	8641	24.0	25.3
0-180°	34114	94.8	100

## Luminance Data in Candela/SQ M at 0° plane

Angle	Average
45°	30011
55°	17796
65°	10272
75°	7584
85°	7096

Tested in accordance with IES standards. Lamp is a 400 watt phosphor coated metal halide. Lumen rating = 36,000. Lamp center located at 9.125 inches above lower rim.

## Accessory

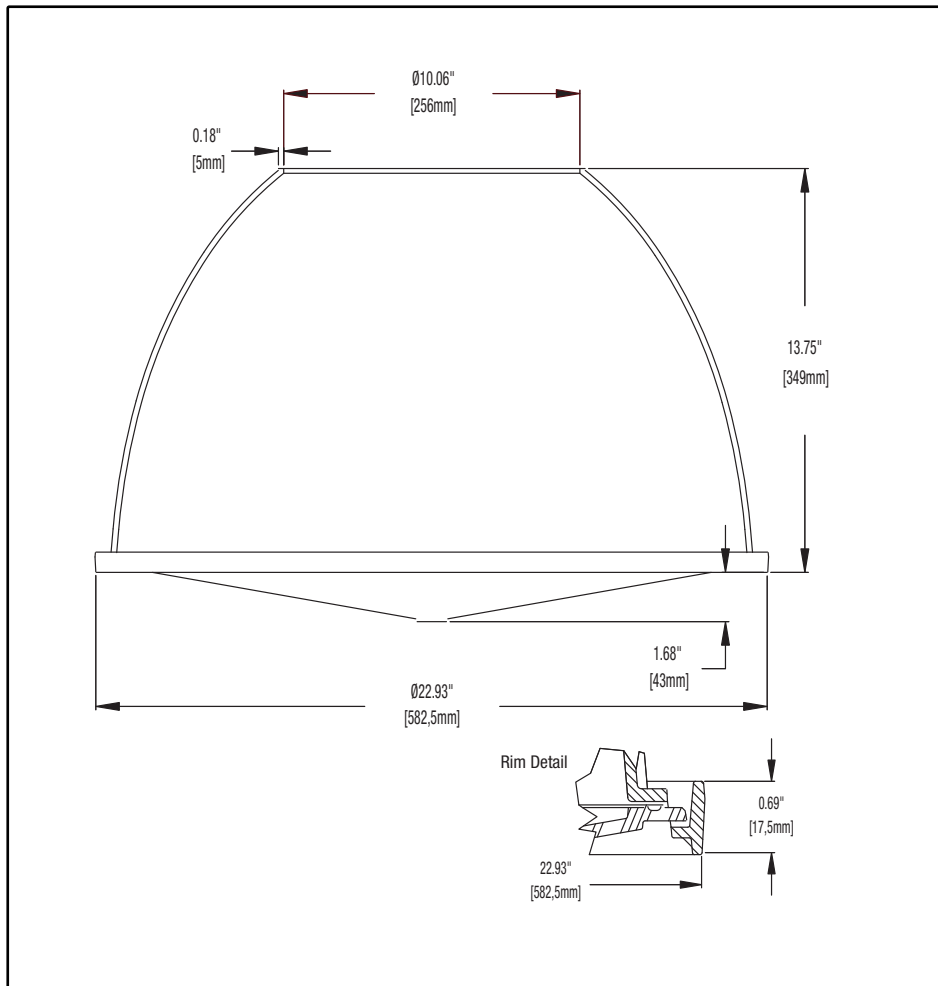
### Smooth inner collar

For a variety of mounting methods.

## Materials

See the LexaLite brand price list for current part numbers and material offerings. Up-to-date and detailed material specifications can be found in the Products/Technical Resources section of our web site at [www.alplighting.com](http://www.alplighting.com).

When using an acrylic Model 822TL, the surface temperature of the Reflector should not exceed 80°C. When using a polycarbonate Model 822TL, the surface temperature of the Reflector should not exceed 90°C.



**This drawing is for reference only. Actual part dimensions will vary. Customer is urged to review actual samples to confirm fit and function. All specifications and dimensions are subject to change without notice.**

