

# PRISMATIC REFRACTOR

## Model 811



Model 811

### Description

The Model 811 is an 11.7" diameter refractor available in clear acrylic, acrylic Moon Glow™, clear impact resistant polycarbonate and colored polycarbonate for use in decorative applications.

### Application

This high efficiency prismatic refractor works equally well for outdoor, vapor-proof and vandal-proof luminaires and interior, decorative applications. The unique prism design allows high efficiencies to be achieved and provides a small amount of uplight.

### Lamp Information

The Model 811 can be used in conjunction with glass or polycarbonate "jelly jar" globes, the latter of which can be found in LexaLite's 500 Series. It is used with 32 watt compact fluorescent lamps and 100 watt incandescent lamps. Luminaire design, reflector configuration, lamp position and ambient

temperature will affect the inside surface temperature. Thermal tests should be conducted on each luminaire design to confirm appropriate lamp size for the application.

### Ordering Information

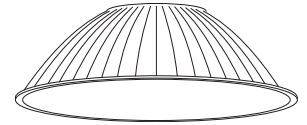
Please call 877-257-5841 for price and delivery. Typical lead time is four to six weeks.

### Service Life

The service life of acrylic refractors is virtually unlimited when used within the recommended temperature limit. Polycarbonate refractors are subject to yellowing especially when used with high ultraviolet output light sources; this effect is enhanced at high temperatures.

### Notice

A.L.P. Lighting Components, Inc. assumes no responsibility for suitability of luminaires and applications. The use of our molded products at excessive temperatures with high UV output light sources will cause degradation of the material.



## Model 811

3.68" high  
11.7" diameter

PRISMATIC REFRACTOR FOR  
COMMERCIAL, INSTITUTIONAL,  
DECORATIVE APPLICATIONS

Materials: Acrylic,  
Acrylic Moon Glow™,  
Polycarbonate and  
Colored Polycarbonate

### 800 Series Products:

9" Model 809  
11" Model 811  
12" Model 812  
12" Model 812i interface  
12" Model 812 Designer  
16" Model 816  
16" Model 816U lightweight  
16" Model 816i interface  
16" Model 16CDL Conical Drop Lens  
22" Model 822  
22" Model 822GV lightweight  
22" Model 822i interface  
22" Model 22CDL Conical Drop Lens  
22" Model 22SCDL Silicone Conical Drop Lens  
25" Model 825  
25" Models 825A & 825M Prismatic Lenses



**A.L.P.**  
LIGHTING COMPONENTS, INC.  
WEB SITE: WWW.ALPLIGHTING.COM

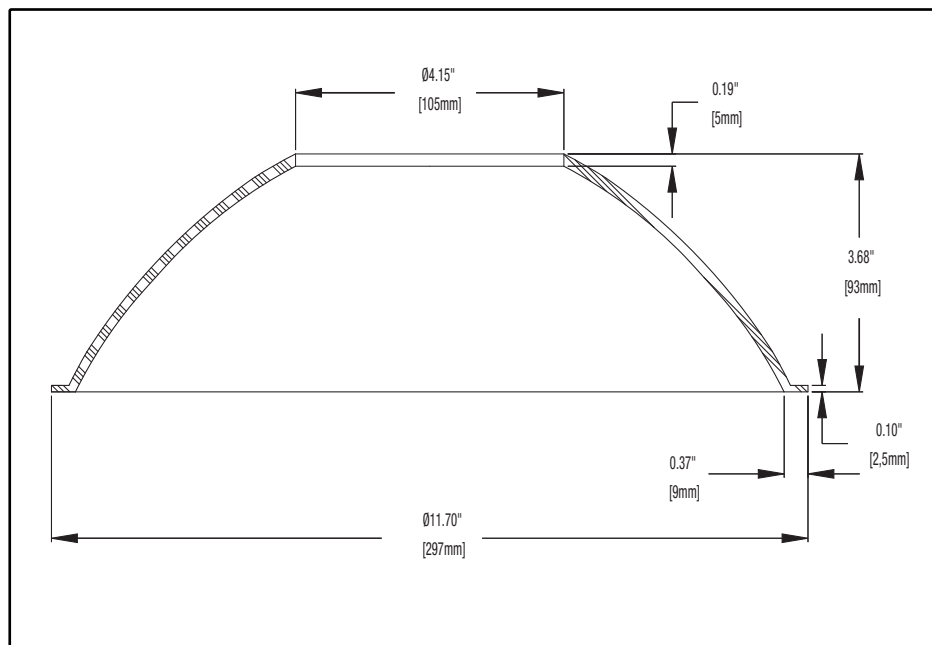
 **LEXALITE**

# Model 811

## Materials

See the LexaLite brand price list for current part numbers and material offerings. Up-to-date and detailed material specifications can be found in the Products/Technical Resources section of our web site at [www.alplighting.com](http://www.alplighting.com).

When using an acrylic Model 811, the surface temperature of the Reflexor should not exceed 80°C. When using a polycarbonate Model 811, the surface temperature of the Reflexor should not exceed 90°C.



**This drawing is for reference only. Actual part dimensions will vary.  
Customer is urged to review actual samples to confirm fit and function.  
All specifications and dimensions are subject to change without notice.**

