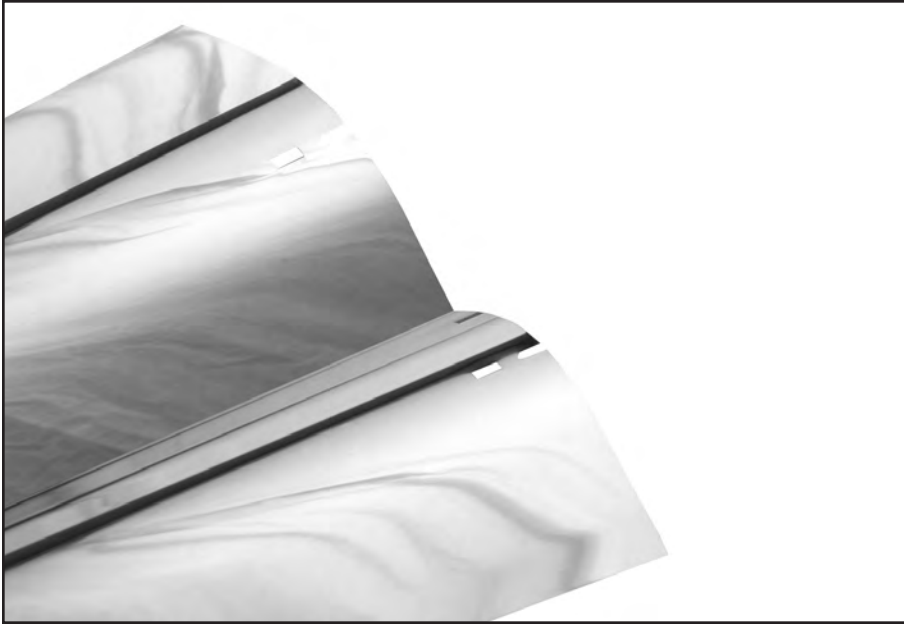


7000V Reflector Series

for Troffer and Surface Fixture Retrofit



Description

7000V Series Reflector Kit is an economical one-piece reflector used to delamp fluorescent recessed / grid troffers. This reduces energy, improves efficiency and keeps light loss to a minimum.

Features and Benefits

Anodized Aluminum (RA) reflectors are manufactured with an 86% minimum reflectance. The 7000V Reflector is designed and manufactured in compliance with U.L. Standards for retrofit reflectors.

Applications

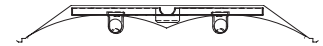
Suitable for relamping in commercial, industrial and institutional applications.

Ordering Information

Please call 800-587-3310 for price and delivery. Typical lead time is four to six weeks.

Notice

Reflector kits do not come with a ballast and are not pre-wired. Lighting Plastic Solutions, assumes no responsibility for suitability of these materials in any luminaire or application. Please test for fit and function prior to ordering project quantities. Dimensions subject to change without notice.



7000V Reflector Series

For troffer and surface fixture retrofit

Specifications

Reflector:
Anodized Aluminum

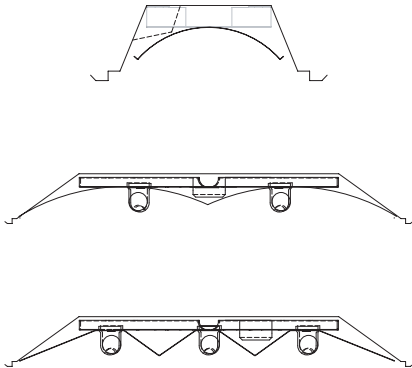
Efficiency:
RA: 86% standard specular
RM: 94% specular
RW: 90% diffuse white

Options:
Socket Plate
End Caps

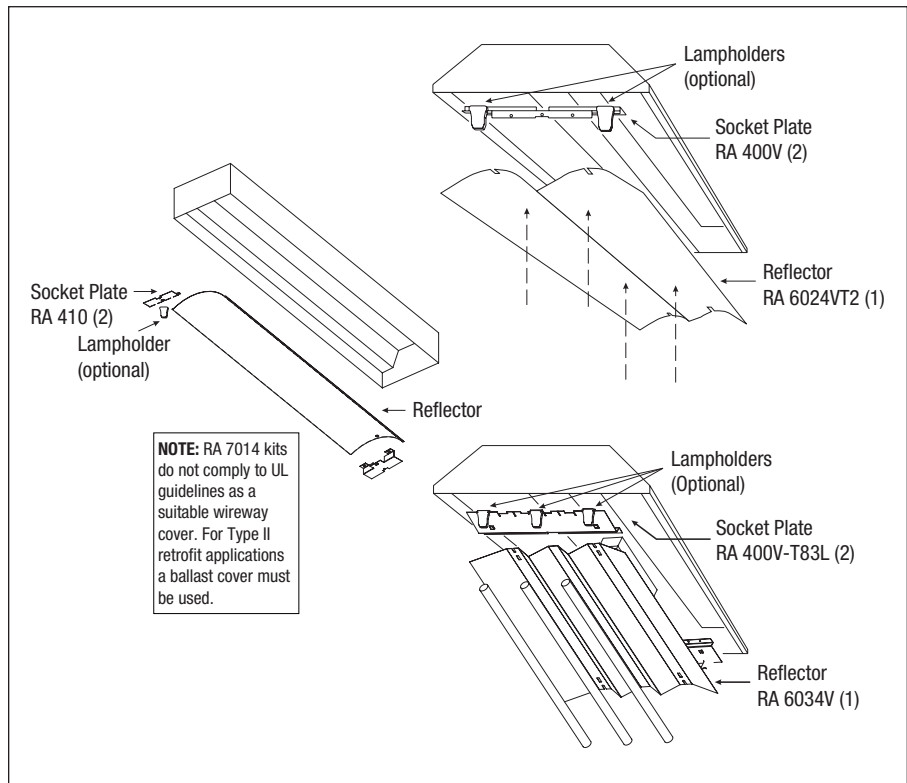
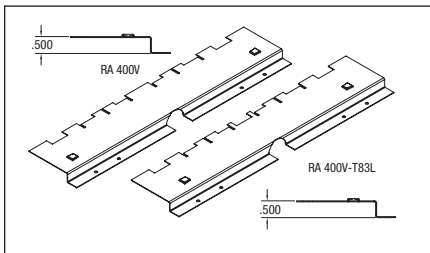
7000V Reflector Series

for Troffer and Surface Fixture Retrofit

Profile End Drawing



Accessories



Catalog Number	Description
RA 7014 Kit	(1) RA 6014 1-lamp Reflector for 1' x 4' Troffer, (2) RA 410 Socket Plates, (4) TEK Screws
RA 7022V Kit	(1) RA 6022VT2 2-lamp Reflector for 2' x 2' Troffer, (2) RA 400V Socket Plates, (4) TEK Screws
RA 7024V Kit	(1) RA 6024VT2 2-lamp Reflector for 2' x 4' Troffer, (2) RA 400V Socket Plates, (4) TEK Screws
RA 7032V Kit	(1) RA 6032V 3-lamp Reflector for 2' x 2' Troffer, (2) RA 400V-T83L, (4) TEK Screws
RA 7034V Kit	(1) RA 6034V 3-lamp Reflector for 2' x 4' Troffer, (2) RA 400V-T83L, (4) TEK Screws

NOTE: For Highly Reflective Specular Aluminum, delete prefix "RA" and replace with "RM" or for White Aluminum delete "RA" and replace with "RW". Also available in 20 pack kits.

This drawing is for reference only. Actual part dimensions will vary. Customer is urged to review actual samples to confirm fit and function. All specifications and dimensions are subject to change without notice.

7000V 06/12

Lighting
Plastics
Solutions
RETROFIT SPECIALISTS

www.mylpsolutions.com

TAMPA BAY
2140 Range Road, Suite A | Clearwater, FL 33765
800-587-3310 | 727-441-9581 | 727-446-2451 fax

CENTRAL FLORIDA
2119 Directors Row, Suite 5 | Orlando, FL 32809
800-682-4197 | 407-398-1001 | 407-398-1003 fax

info@mylpsolutions.com

SOUTHEAST US
3367 W Hospital Avenue, Suite B | Chamblee, GA 30341
800-548-9101 | 770-817-7020 | 770-817-7021 fax

NORTHEAST US
6965 Airport Highway Lane | Pennsauken, NJ 08109
856-661-2442 | 856-661-2447 fax