

# THREADED GLOBES

Models 507, 508, 510, 518, 520, 527, 528, 537 and 538



Model 507



Model 518

## Description

These threaded globes provide maximum lamp protection in applications where breakage and replacement costs are a concern. Impact resistant polycarbonate eliminates the need for expensive protective metal guards that are required when using conventional glass globes. Several models are available, with or without interior surface diffusing prisms. Globes are available in standard colors: opal white for optimum lamp obscuration, red, amber, clear, green and blue.

## Lamp Data

The globes may be used with incandescent, compact fluorescent and medium based H.I.D. lamps in base up orientation. Lamp wattages are shown for clear globes only, using only metal housings. Plastic fixtures as well as colored globes will require lower wattage lamps and should be tested for lamp suitability. The use of mercury vapor and metal halide lamps is not recommended in polycarbonate globes due to the high UV output and temperature.

## Material

See the LexaLite brand price list for current part numbers and material offerings. Up-to-date and detailed material specifications can be found in the Products/Technical Resources section of our web site at [www.alplighting.com](http://www.alplighting.com). Special colors are available upon request.

## Ordering Information

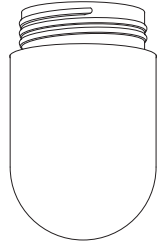
Please call 877-257-5841 for price and delivery. Typical lead time is four to six weeks.

## Service Life

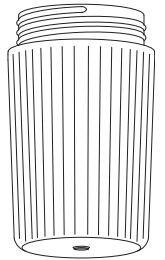
Polycarbonate refractors are subject to yellowing especially when used with high ultraviolet output light sources; this effect is enhanced at high temperatures.

## Notice

A.L.P. Lighting Components, Inc. assumes no responsibility for suitability of luminaires and applications. The use of our molded products at excessive temperatures with high UV output light sources will cause degradation of the material.



Model 507



Model 518

## 500 Series

### Model 507

3.16" diameter thread  
6" high

### Model 510

4.71" diameter thread  
6" high

### Model 520

5.31" diameter thread  
7.51" high

### Models 508/518

3.16" diameter thread  
5.86" high

### Models 527/537

3.15" diameter thread  
8.25" high

### Models 528/538

4.17" diameter thread  
8.25" high

INTERIOR AND EXTERIOR  
LIGHTING APPLICATIONS

Material: Polycarbonate



**A.L.P.**  
LIGHTING COMPONENTS, INC.  
WEB SITE: [WWW.ALPLIGHTING.COM](http://WWW.ALPLIGHTING.COM)

 **LEXALITE**

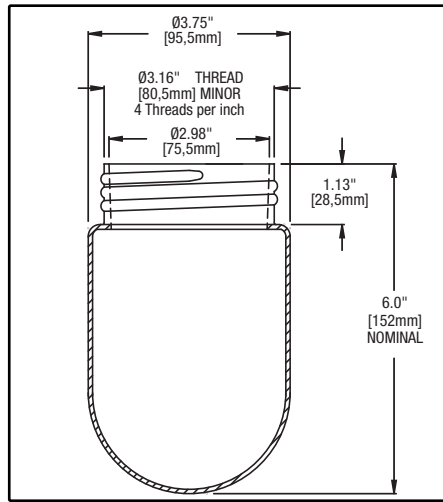
# 500 Series

## Vapor Tight Globes

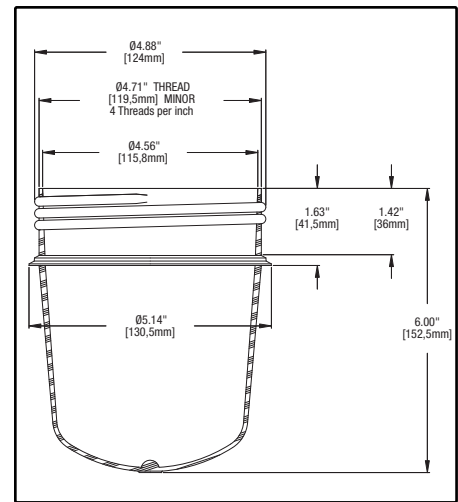
**Model 507:** 3.16" diameter thread, 6.0" high, expanded smooth globe, can be used with up to 75 watt incandescent lamps in the base-up position. The Model 507 expanded globe provides the optimum fixture light output, by permitting the use of larger wattage lamps in fixtures with relatively small thread openings.

**Model 510:** 4.71" diameter thread, 6" high, smooth tapered globe, can be used with up to 100 watt A-19 or A-21 incandescent lamps in the base-up position.

**Model 520:** 5.31" diameter thread, 7.51" high, smooth tapered globe can be used with up to 200 watt A-23 incandescent lamps in the base-up position.



Model 507

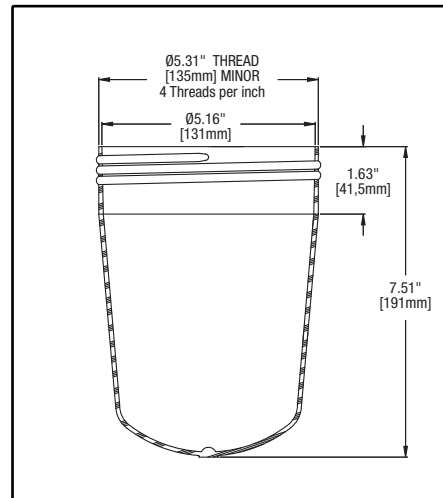


Model 510

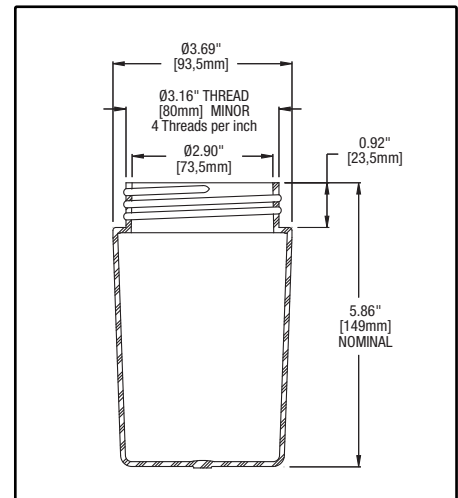
## Threaded Globes

Lexalite's line of threaded globes provides the optimum fixture light output by permitting the use of larger wattage lamps in fixtures with relatively small thread openings. This also permits optimum visual appearance by allowing the globe to fit flush with the fixture housing and project a pleasing vertical continuity between housing and globe.

**Model 508 Smooth/518 Prismatic:** 3.16" diameter thread, 5.86" high smooth globe, can be used with up to 75 watt incandescent lamps in the base-up position. The 518 prismatic globe utilizes vertical prisms on the inside surface for maximum lamp obscuration.

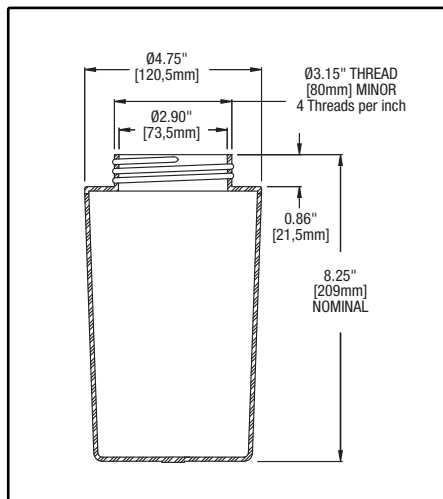


Model 520

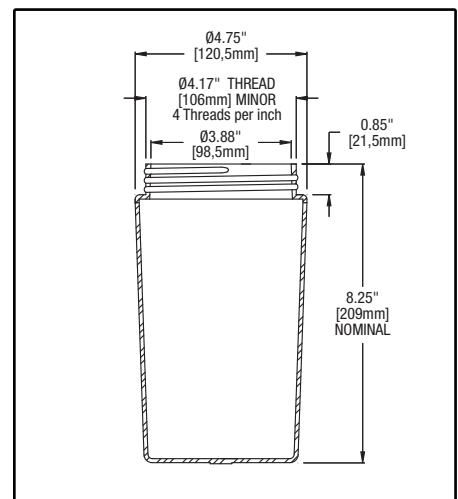


Model 508/518

**Model 527 Smooth/537 Prismatic:** 3.15" diameter thread, 8.25" high globes, are available for use with up to 150 watt A-21 incandescent lamps in the base-up position. The 537 prismatic globe utilizes vertical prisms on the inside surface for maximum lamp obscuration.



Model 527/537



Model 528/538

**Model 528 Smooth/538 Prismatic:** 4.17" diameter thread, 8.25" high globes, are available for use with up to 150 watt A-21 incandescent lamps in the base-up position. The 538 prismatic globe utilizes vertical prisms on the inside surface for maximum lamp obscuration.

**This drawing is for reference only. Actual part dimensions will vary. Customer is urged to review actual samples to confirm fit and function. All specifications and dimensions are subject to change without notice.**