

5000 Series Reflector Kit

For Quick, Simple Retrofit of 2-Lamp Strip Fixture



Description

Convert 4-1/4" wide strip fixtures to 1 or 2 T8 lamps easily, quickly and economically. A.L.P. offers two outstanding reflector kits to retrofit 8' or 4' strip fixtures to the more efficient T8 lamps.

The 5000 Series Kit is a complete reflector system, including socket plates for lamp relocation, to provide maximum efficiency. Used to delamp from 4-lamps to 2-lamps in fluorescent strip fixtures. This retrofit system allows for removal and discarding of the ballast cover, relocation of lamps, optimizing light output and reducing energy consumption to comply with utility rebate requirements.

Features and Benefits

Anodized Aluminum (RA) reflectors are manufactured from 0.025" thick aluminum with an 86% minimum reflectance. Designed and manufactured in compliance with U.L. Standards for retrofit reflectors. The 5000 Series is U.L. Classified as a ballast cover.

Applications

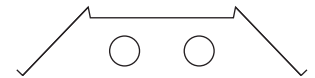
Suitable for relamping in commercial, industrial and institutional applications.

Ordering Information

Please call 800-587-3310 for price and delivery.

Notice

Reflector kits do not come with a ballast and are not pre-wired. Lighting Plastic Solutions, assumes no responsibility for suitability of these materials in any luminaire or application. Please test for fit and function prior to ordering project quantities. Dimensions subject to change without notice.



5000 Series Reflector

Retrofit of 2-Lamp Strip Fixture

Specifications

Reflector:
Anodized Aluminum

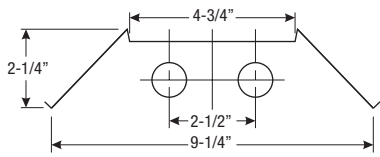
Efficiency:
RA: 86% standard specular
RM: 94% specular
RW: 90% diffuse white

Options:
Socket Plate
End Caps

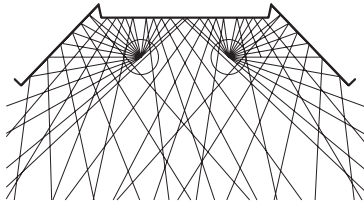
5000 Series Reflector Kit

For Quick, Simple Retrofit of 2-Lamp Strip Fixture

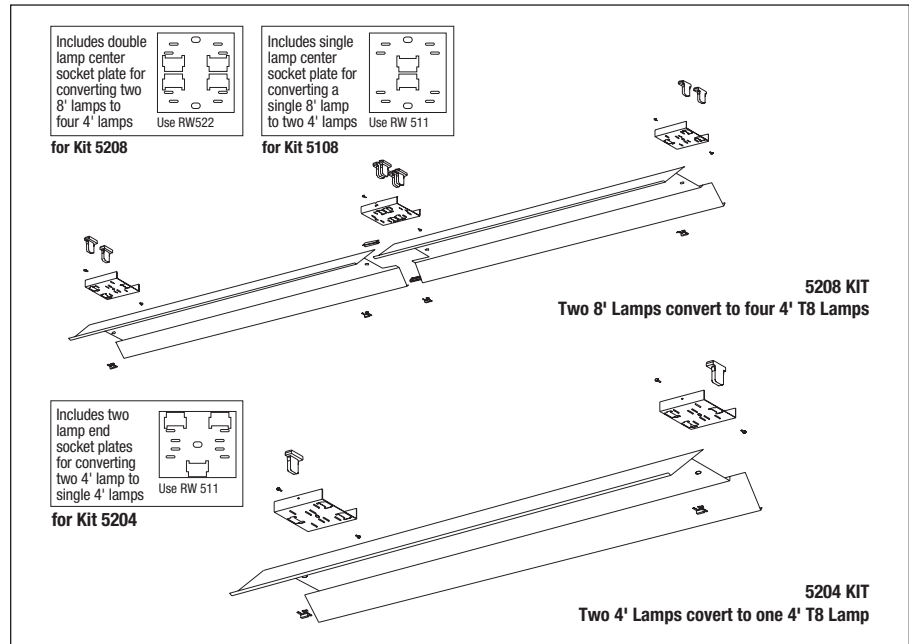
Profile End Drawing



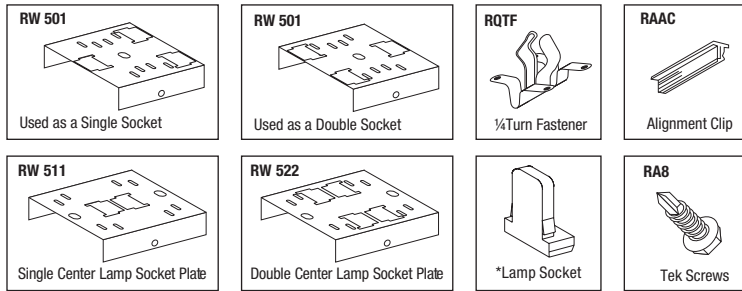
5000 Series Reflector



5000 Series Reflector
Ray Tracing



Accessories



Catalog Number	Description
RA 5108 (Kit)	(1) 8' Lamp converts to (2) 4' T8 Lamps (Std Specular)
RA 5208 (Kit)	(2) 8' Lamp converts to (4) 4' T8 Lamps (Std Specular)
Includes	
RA 5004	4' Reflector (2 Per Kit)
RW 501	Single or Double Socket Plate (2 Per Kit)
RW 511	Single Lamp Center Socket Plate for RA 5108 (1 Per Kit)
RW 522	Double Lamp Center Socket Plate for RA 5208 (1 Per Kit)
Also:	(6) TEK Screws, (4) 1/4 Turn Fasteners, (2) Alignment Clips (4) Lamp Sockets for RA 5108 or (8) Lamp Sockets for RA 5208

Catalog Number	Description
RA 5204 (Kit)	(2) 4' Lamp converts to (1) 4' T8 Lamp (Anodized Aluminum)
Includes	
RA 5004	4' Reflector (1 Per Kit)
RW 501	Single or Double Socket Plate (2 Per Kit)
Also:	(4) TEK Screws, (2) 1/4 Turn Fasteners, (2) Lamp Sockets for RA 5204

Note: For Highly Reflective Specular Aluminum, Delete Prefix "RA" and Replace with "RM" or for White Aluminum Delete "RA" and Replace with "RW". Alternate reflector to fit our SEP strips (RA 5004SEP, RW 5004SEP, RM 5004SEP).

This drawing is for reference only. Actual part dimensions will vary. Customer is urged to review actual samples to confirm fit and function. All specifications and dimensions are subject to change without notice.

5000REFL 06/12

Lighting
Plastics
Solutions
RETROFIT SPECIALISTS

www.mylpsolutions.com

TAMPA BAY
2140 Range Road, Suite A | Clearwater, FL 33765
800-587-3310 | 727-441-9581 | 727-446-2451 fax

CENTRAL FLORIDA
2119 Directors Row, Suite 5 | Orlando, FL 32809
800-682-4197 | 407-398-1001 | 407-398-1003 fax

info@mylpsolutions.com

SOUTHEAST US
3367 W Hospital Avenue, Suite B | Chamblee, GA 30341
800-548-9101 | 770-817-7020 | 770-817-7021 fax

NORTHEAST US
6965 Airport Highway Lane | Pennsauken, NJ 08109
856-661-2442 | 856-661-2447 fax