

TAPERED REFRACTORS

Models 260, 265, 270 and 275



Model 270 Type V

Description

These 12" diameter tapered refractors feature precise optics that provide maximum luminaire efficiency and uniformity of illumination.

Designed for use with vertical burning lamps, these refractors are widely used in pendant-mount and post-top luminaires in roadway, area and industrial lighting applications. Open bottom refractors provide relamping and maintenance ease, while closed bottom refractors provide additional protection for the light source. Models 260 (closed bottom) and 265 (open bottom) are impact resistant polycarbonate refractors for use in areas where breakage is a concern. Models 270 (closed bottom) and 275 (open bottom) are ultraviolet stabilized acrylic refractors for high efficiency operation in general application usage.

Lamp Data

This refractor series is capable of being used with 150W and 175W HID lamps. When using Models 265 and 275 (open bottom versions) in exterior applications, 250W lamps are the maximum wattage we recommend using. Thermal tests should be conducted on each luminaire design, with the proposed light source in its selected position to confirm lamp size and suitability, and to predict service life of the refractor.

Ordering Information

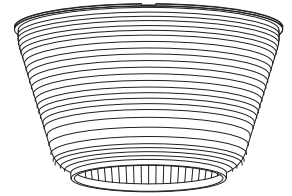
Please call 877-257-5841 for price and delivery. Typical lead time is four to six weeks.

Service Life

The service life of acrylic refractors is virtually unlimited when used within the recommended temperature limit. Polycarbonate refractors are subject to yellowing especially when used with high ultraviolet output light sources; this effect is enhanced at high temperatures.

Notice

A.L.P. Lighting Components, Inc. assumes no responsibility for suitability of luminaires and applications. The use of our molded products at excessive temperatures with high UV output light sources will cause degradation of the material. Information regarding the use of lenses and refractors with Metal Halide lamps can be found in the Products/Technical Resources section of our web site at www.alplighting.com. *See second page for important UL information.



Models 260, 265, 270 and 275

6.90" high
12" diameter

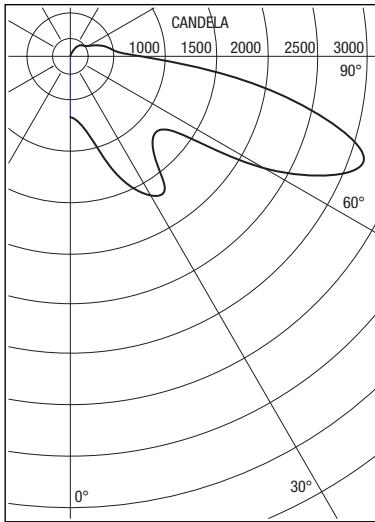
INDUSTRIAL, ROADWAY,
STREET AND AREA
LIGHTING APPLICATIONS

Model 275 Type V
Efficiency: 81.11%
IES Classification: Type V, Semi-cutoff,
Arc Tube Voltage Rise = 0.3

Materials: Acrylic and polycarbonate



Models 260, 265, 270 and 275



Photometrics:

All models are available in IES Type I, II, III, IV and V and Type II four-way distributions. A special Type III for use with phosphor coated lamps, combined I/II three-way and I/II four-way distributions are also available. Model 275 Type V refractor produces 3142 maximum candela at 70° vertical using a 150W HPS as shown at left (ITL41576). Model 275 Type III produces over 11010 candela at the 72.5° vertical and 84° horizontal, with an overall efficiency of 82.91% using a 150W HPS (ITL37278). Individual luminaire performance depends on the lamp center position and the reflector design chosen. Each luminaire design should be individually tested for proper classification. Please call for additional photometric data.

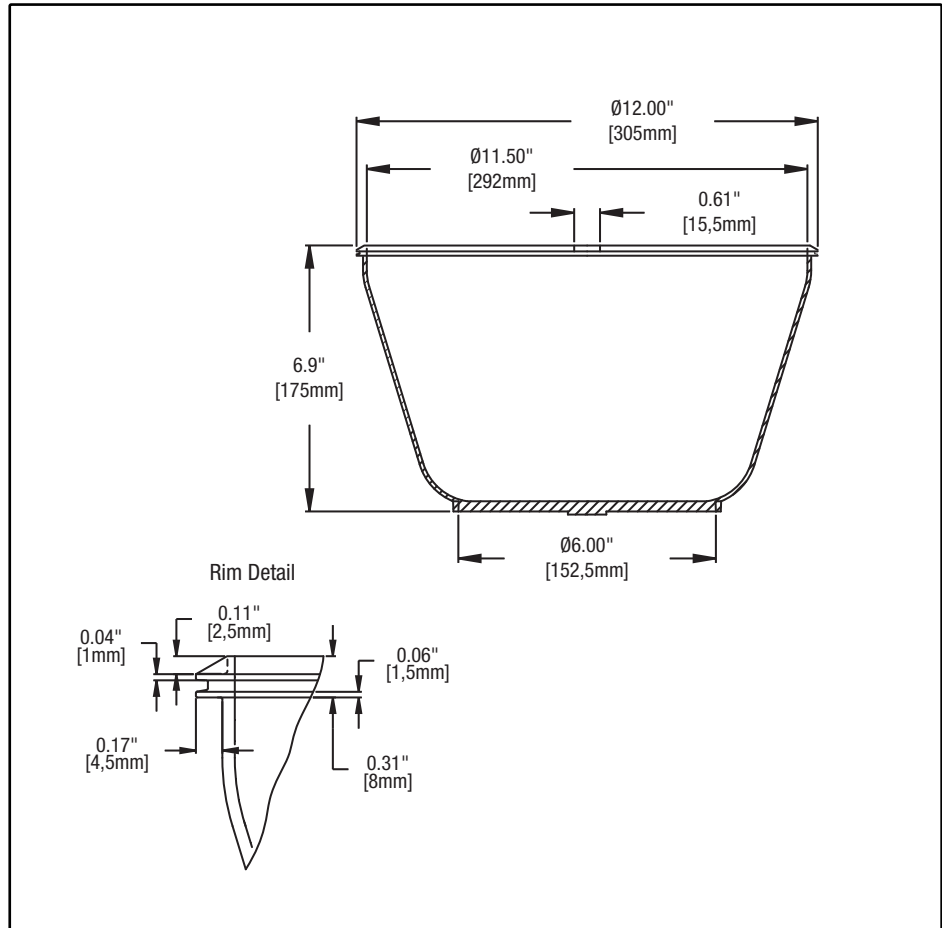
Report Number: ITL41576
 Total Luminaire Efficiency = 81.11%
 IES Classification: Type V, Semi-cutoff
 Arc Tube Voltage Rise = 0.3

Materials

See the LexaLite® brand price list for current part numbers and material offerings. Up-to-date and detailed material specifications can be found in the Products/Technical Resources section of our web site at www.alplighting.com.

UvaLex® is LexaLite's proprietary treatment to retard yellowing in ultraviolet environments and is standard on polycarbonate refractors.

When using acrylic Models 270 and 275 the surface temperature of the refractor should not exceed 80°C. When using polycarbonate Models 260 and 265, the surface temperature of the refractor should not exceed 90°C.



This drawing is for reference only. Actual part dimensions will vary. Customer is urged to review actual samples to confirm fit and function. All specifications and dimensions are subject to change without notice.

***Effective June 30, 2010, lenses associated with this product will no longer be UL recognized components. A.L.P. LexaLite recommends the use of open rated lamps with any polymeric lens. These lenses should not be used as arc retention devices.**

