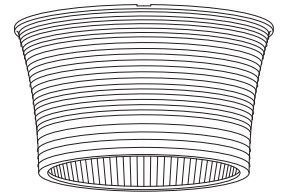


REFRACTORS

Models 240, 245, 250 and 255



Model 240



**Models 240, 245,
250 and 255**

6.80" high
12" diameter

INDUSTRIAL, ROADWAY
STREET AND AREA LIGHTING
APPLICATIONS

Model 250 Type V
Efficiency: 85.84%
IES Classification: Type V, Semi-cutoff,
Arc Tube Voltage Rise = 0

Materials: Acrylic and polycarbonate

Description

These 12" diameter refractors are used with vertical burning HID lamps in pendant-mount or post-top luminaires, street lighting, indoor industrial applications and parking facilities. Open bottom refractors provide relamping and maintenance ease, while closed bottom refractors provide additional protection for the light source. Models 240 (closed bottom) and 245 (open bottom) are polycarbonate refractors for use in areas where breakage is a concern. Models 250 (closed bottom) and 255 (open bottom) are ultraviolet stabilized acrylic refractors for high efficiency operation in general application usage.

Lamp Data

These refractors are capable of handling up to 175W HID lamps. When using Models 245 and 255 (open bottom versions) in exterior applications, 250W HID lamps are the maximum wattage we recommend using. Thermal tests should be conducted on each luminaire design with the proposed light source in its selected position to confirm lamp size and suitability, and to predict service life of the refractor.

Ordering Information

Please call 877-257-5841 for price and delivery. Typical lead time is four to six weeks.

Service Life

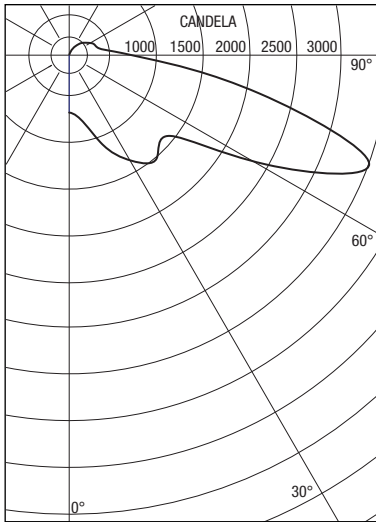
The service life of acrylic refractors is virtually unlimited when used within the recommended temperature limit. Polycarbonate refractors are subject to yellowing especially when used with high ultraviolet output light sources; this effect is enhanced at high temperatures.

Notice

A.L.P. Lighting Components, Inc. assumes no responsibility for suitability of luminaires and applications. The use of our molded products at excessive temperatures with high UV output light sources will cause degradation of the material. Information regarding the use of lenses and refractors with Metal Halide lamps can be found in the Products/Technical Resources section of our web site at www.alplighting.com.



Models 240, 245, 250 and 255



Photometrics:

All models are available in asymmetrical IES Types I, II, III, IV two-way, and symmetrical Type V distributions for general area lighting. Model 250 Type V produces a maximum of 3500 candela at 70° vertical with a 150W HPS as shown at left (ITL38882). The vertical maximum candela can be adjusted approximately 6° with small movements in light center position. Individual luminaire performance depends on the lamp center position and the reflector design chosen. Each luminaire design should be individually tested for proper classification. Please call for additional photometric data.

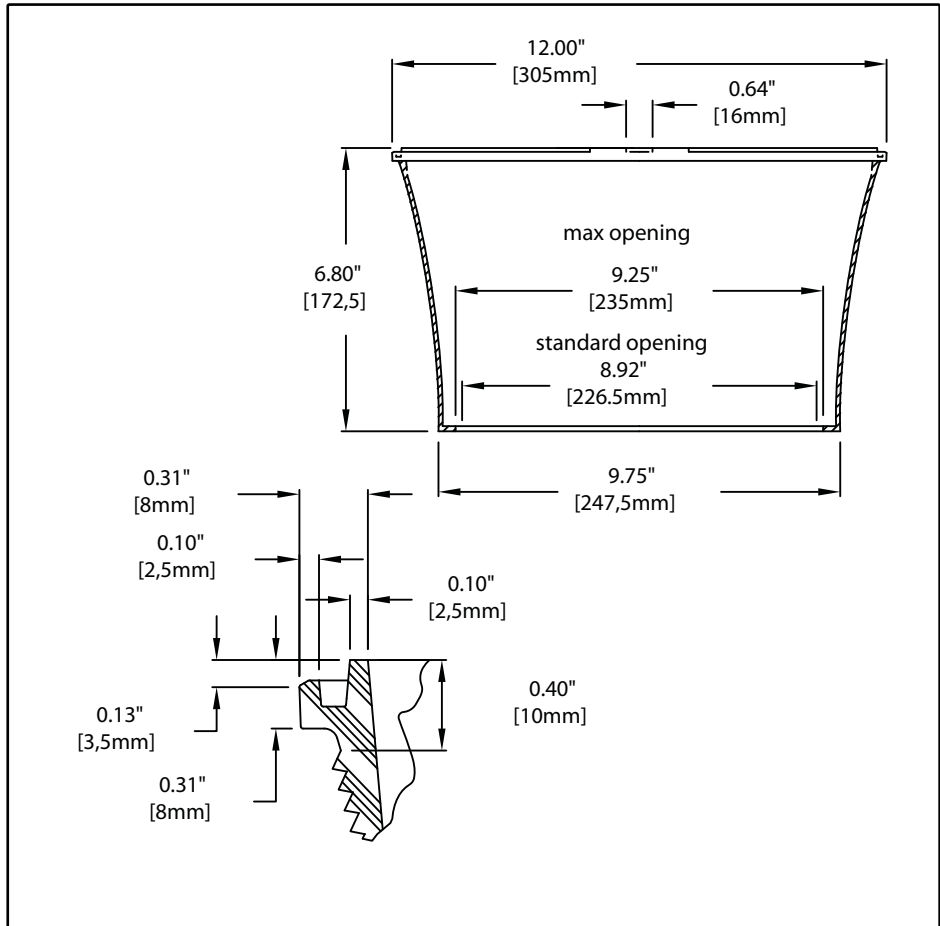
Report Number: ITL38882
 Total Luminaire Efficiency = 85.84%
 IES Classification: Type V
 Arc Tube Voltage Rise = 0

Materials

See the LexaLite® brand price list for current part numbers and material offerings. Up-to-date and detailed material specifications can be found in the Products/Technical Resources section of our web site at www.alplighting.com.

UvaLex® is LexaLite's proprietary treatment to retard yellowing in ultraviolet environments and is standard on these polycarbonate refractors.

When using acrylic Models 250 and 255, the surface temperature of the refractor should not exceed 80°C. When using polycarbonate Models 240 and 245, the surface temperature of the refractor should not exceed 90°C.



This drawing is for reference only. Actual part dimensions will vary. Customer is urged to review actual samples to confirm fit and function. All specifications and dimensions are subject to change without notice.

