

CONICAL DROP LENS

Model 22CDL



Model 22CDL

Description

The Model 22CDL is a 22" Conical Drop Lens designed to mount directly to the 822 Reflexor or to other reflectors of the same size with a roll form clamp band.

Application

The Model 22CDL is a 22" Conical Drop Lens to be used with up to 400W vertically oriented HID lamps for both medium and low-bay lighting applications. The lens both lifts the main beam and breaks up the lamp image. The Conical Drop Lens (22CDL) will be found in UL's Recognized Component Directory under file number E134182.

Lamp Data

The 22CDL is used primarily with HID lamps. Luminaire design, reflector configuration, lamp position and ambient temperature will affect the inside surface temperature. Thermal tests should be conducted on each luminaire design to confirm appropriate lamp size for the application.

Ordering Information

Please call 877-257-58414 for price and delivery. Typical lead time is four to six weeks.

Service Life

The service life of acrylic lenses is virtually unlimited when used within the recommended temperature limit. Polycarbonate lenses are subject to yellowing especially when used with high ultraviolet output light sources; this effect is enhanced at high temperatures.

Notice

A.L.P. Lighting Components, Inc. assumes no responsibility for suitability of luminaires and applications. The use of our molded products at excessive temperatures with high UV output light sources will cause degradation of the material. Information regarding the use of lenses and refractors with Metal Halide lamps can be found in the Products/Technical Resources section of our web site at www.alplighting.com. *See second page for important UL information.



Model 22CDL

22" diameter lens

CONICAL LENS
COMMERCIAL, INDUSTRIAL,
DECORATIVE APPLICATIONS

Efficiency: 92.9%

Uplight: 27.5%

CIE type: Semi-Direct

Luminaire spacing Criteria: 2.0

Materials: Acrylic,
Acrylic Moon Glow™,
Polycarbonate, and
Custom Colors

800 Series Products:

9" Model 809

11" Model 811

12" Model 812

12" Model 812i interface

12" Model 812 Designer

16" Model 816

16" Model 816U lightweight

16" Model 816i interface

16" Model 16CDL Conical Drop Lens

22" Model 822

22" Model 822GV lightweight

22" Model 822i interface

22" Model 22CDL Conical Drop Lens

22" Model 22SCDL Silicone Conical Drop Lens

25" Model 825

25" Models 825A & 825M Prismatic Lenses

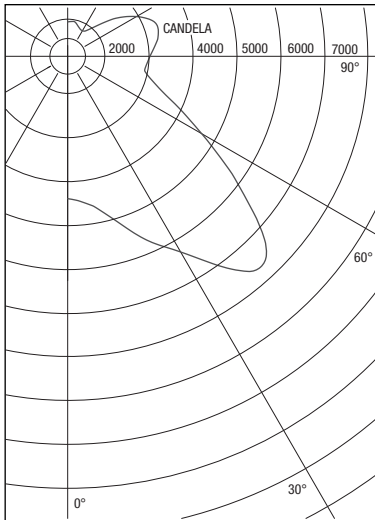


A.L.P.

LIGHTING COMPONENTS, INC.
WEB SITE: WWW.ALPLIGHTING.COM

LEXALITE

Model 22CDL Conical Drop Lens



Report Number: ITL39883
 Total Luminaire Efficiency: 92.9%
 CIE Type: Semi-Direct
 Luminaire Spacing Criterion: 2.0

Accessory

Stainless steel clamp band

For attachment of bottom closure.

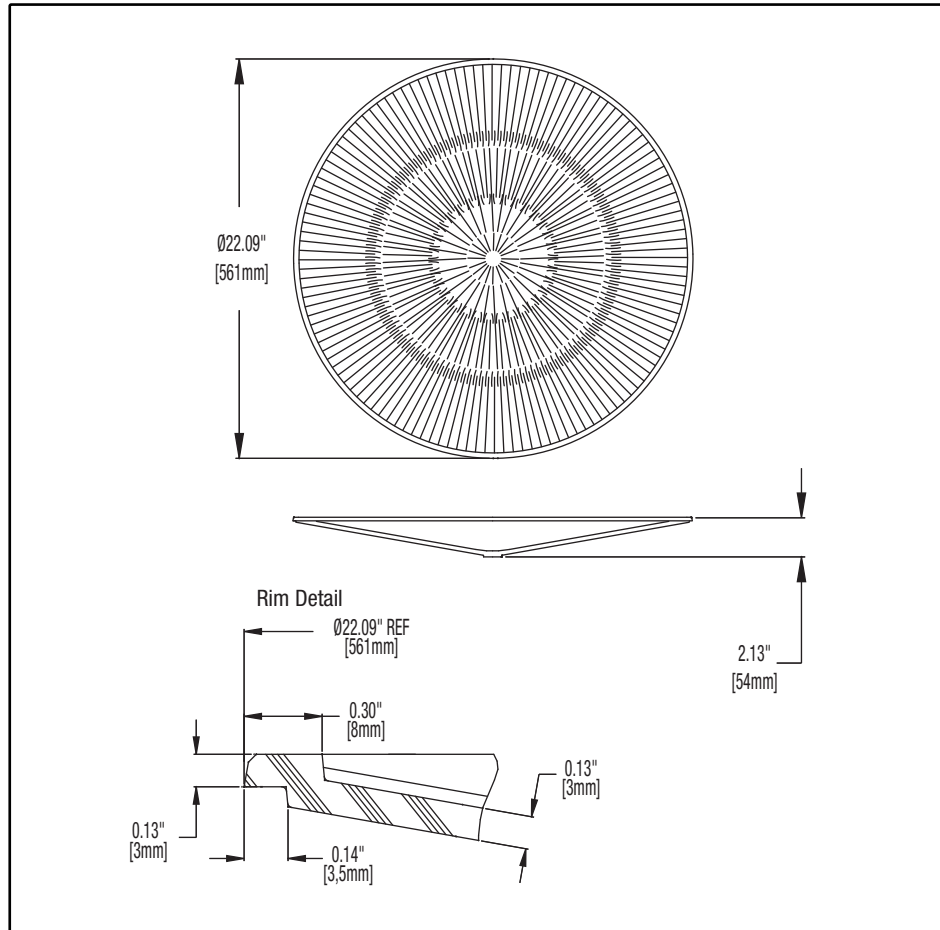
Materials

See the LexaLite brand price list for current part numbers and material offerings. Up-to-date and detailed material specifications can be found in the Products/Technical Resources section of our web site at www.alplighting.com.

When using an acrylic Model 22CDL, the surface temperature of the lens should not exceed 80°C. When using a polycarbonate Model 22CDL, the surface temperature of the lens should not exceed 90°C.

Photometrics:

The acrylic version of the 22CDL Conical Drop Lens yields an overall efficiency of 92.9% when assembled with the Model 822 and a 400W phosphor coated metal halide lamp. Uplight of luminaire is increased to 27.5% versus 17.7% for the open Model 822. The main beam is located at 45° vertical with an intensity of approximately 6555 candela (ITL39883). A distribution range from 1.7-2.0 allows it to be used in a variety of mounting heights without a decrease in performance.



This drawing is for reference only. Actual part dimensions will vary. Customer is urged to review actual samples to confirm fit and function. All specifications and dimensions are subject to change without notice.

***Effective June 30, 2010, lenses associated with this product will no longer be UL recognized components. A.L.P. LexaLite recommends the use of open rated lamps with any polymeric lens. These lenses should not be used as arc retention devices.**