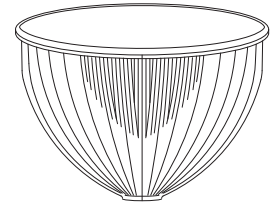


REFRACTORS

Models 110 and 111



Model 110



Models 110 and 111

8.75" high
13" diameter

GENERAL STREET AND ROADWAY
LIGHTING APPLICATIONS

TYPE III AND TYPE V DISTRIBUTIONS

Model 110 Type III
Medium semi-cutoff
Efficiency: 71.56%
Arc Tube Voltage Rise = 1.0

Materials: Acrylic and polycarbonate

Description

Models 110 and 111 are 8.75" high. These 13" diameter refractors are typically used in roadway or nostalgia luminaires and have smooth exteriors for self cleaning.

Application

Model 110 is molded of impact-resistant polycarbonate, for use in areas where breakage is a concern. Model 111 is molded using ultraviolet stabilized acrylic for high efficiency in general lighting applications.

Lamp Data

Vertical base up lamps are used in these models. Previously, large mogul based incandescent or 175W-250W mercury vapor lamps were the primary lamp sources used in these refractors. Today, Models 110 and 111 are being used with 150W-175W, medium or mogul based metal halide and HPS lamps.

Ordering Information

Please call 877-257-5841 for price and delivery. Typical lead time is four to six weeks.

Service Life

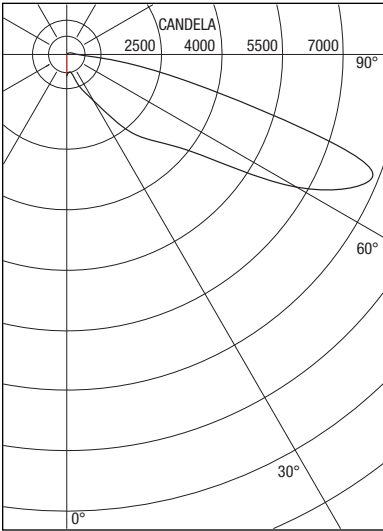
The service life of acrylic refractors is virtually unlimited when used within the recommended temperature limit. Polycarbonate refractors are subject to yellowing especially when used with high ultraviolet output light sources; this effect is enhanced at high temperatures.

Notice

A.L.P. Lighting Components, Inc. assumes no responsibility for suitability of luminaires and applications. The use of our molded products at excessive temperatures with high UV output light sources will cause degradation of the material. Information regarding the use of lenses and refractors with Metal Halide lamps can be found in the Products/Technical Resources section of our web site at www.alplighting.com. *See second page for important UL Information.



Models 110 and 111



Photometrics

Models 110 and 111 are available in IES Type III and V photometric distributions. The interior prisms allow for flexibility in obtaining other distributions by the use of reflector baffles and lamp placement. When the Model 110 Type III is coupled with the aluminum reflector and used with a 150W clear HPS lamp, the optical assembly produces 8309 candela at 67.5° vertical and 73° lateral. Use of the aluminum reflector increases efficiency (ITL41551). Individual luminaire performance depends on the lamp center position and the reflector design chosen. Each luminaire design should be individually tested for proper classification. Please visit our web site for additional photometric data.

Report Number: ITL41551
 Total Luminaire Efficiency = 71.56%
 Downward total = 68.66%
 IES Classification: Medium, Semi-cutoff, Type III
 Arc Tube Voltage Rise = 1.0

Accessories

Aluminum reflector

This 13" diameter, faceted reflector increases the efficiency of Models 110 and 111, while reducing arc tube voltage rise potential. The reflector contour also controls the majority of the vertical distribution.

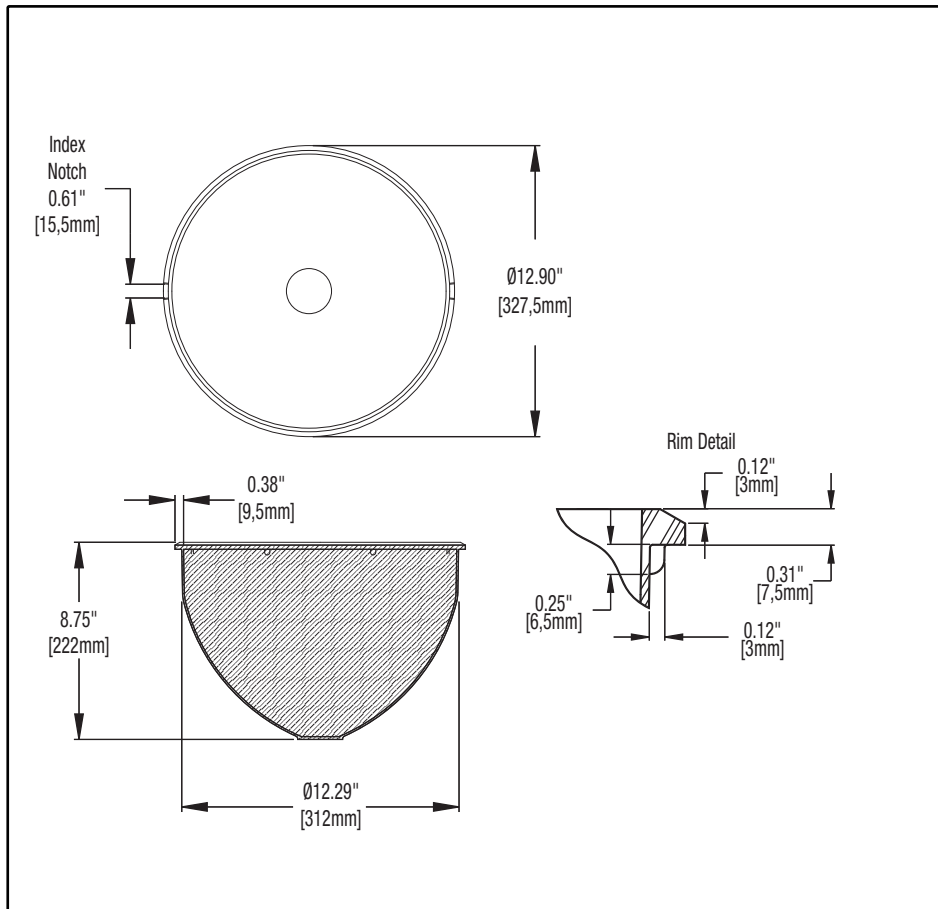
Stainless steel clamp band

For attachment of bottom closure.

Materials

See the LexaLite brand price list for current part numbers and material offerings. Up-to-date and detailed material specifications can be found in the Products/Technical Resources section of our web site at www.alplighting.com.

When using an acrylic Model 111, the surface temperature of the refractor should not exceed 80°C. When using a polycarbonate Model 110, the surface temperature of the refractor should not exceed 90°C.



This drawing is for reference only. Actual part dimensions will vary. Customer is urged to review actual samples to confirm fit and function. All specifications and dimensions are subject to change without notice.

***Effective June 30, 2010, lenses associated with this product will no longer be UL recognized components. A.L.P. LexaLite recommends the use of open rated lamps with any polymeric lens. These lenses should not be used as arc retention devices.**

