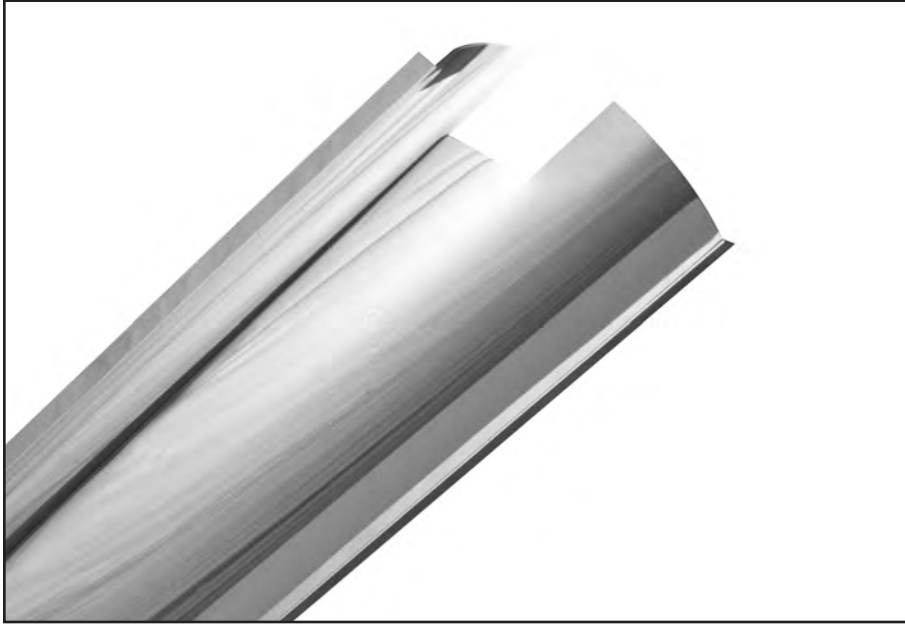


1000 Series Reflector Kit

For Quick, Simple Retrofit of 1-Lamp Strip Fixture



Description

1000 Series Reflectors are for single lamp strip fluorescent lighting fixtures. They are specifically designed to enhance 1-lamp strip lights. They are also ideal, when converting 8' to 4' lamps or when delamping from 2- to 1-lamp by using our optional socket plates.

Features and Benefits

Anodized aluminum (RA) reflectors are manufactured with a minimum of 86% Total Reflectivity (T.R.). Optional finishes are also available. They are designed and manufactured in compliance with U.L. Standards for retrofit reflectors.

Applications

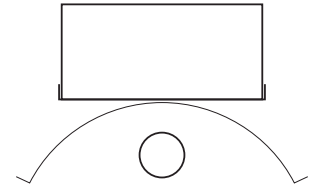
Suitable for relamping in commercial, industrial and institutional applications.

Ordering Information

Please call 800-587-3310 for price and delivery.

Notice

Reflector kits do not come with a ballast and are not pre-wired. Lighting Plastic Solutions, assumes no responsibility for suitability of these materials in any luminaire or application. Please test for fit and function prior to ordering project quantities. Dimensions subject to change without notice.



1000 Series Reflector

Retrofit of 1-Lamp Strip Fixture

Specifications

Reflector:
Anodized Aluminum

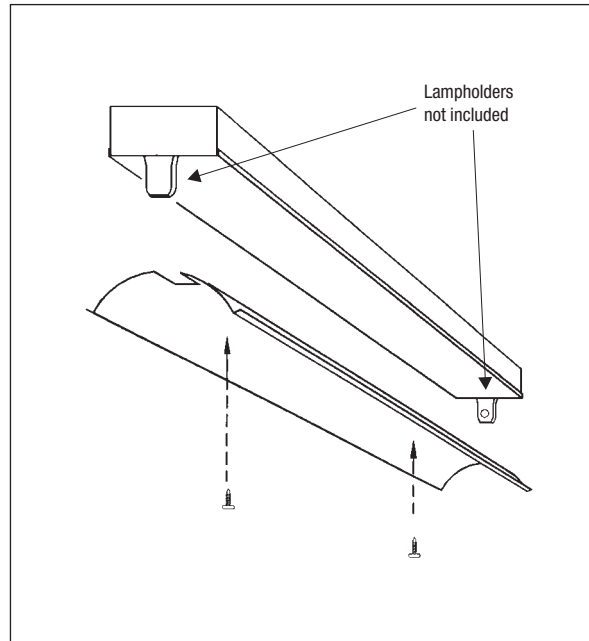
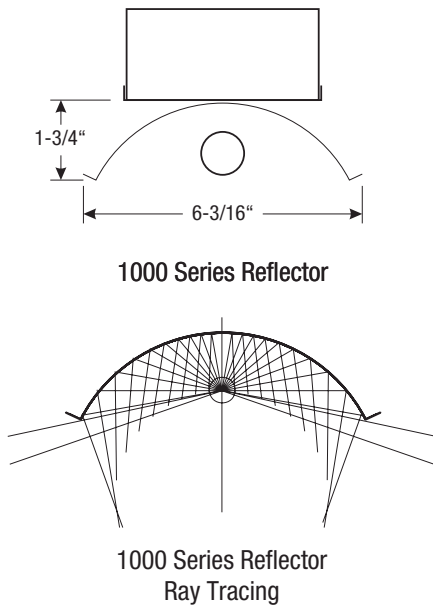
Efficiency:
RA: 86% standard specular
RM: 94% specular
RW: 90% diffuse white

Options:
Socket Plate
End Caps

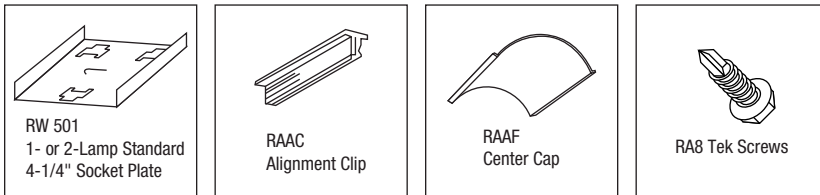
1000 Series Reflector Kit

For Quick, Simple Retrofit of 1-Lamp Strip Fixture

Profile End Drawing



Accessories



Catalog Number	Description
RA 1002	(1) RA 1002 2' Reflector (Anodized Aluminum), (2) TEK Screws
RA 1003	(1) RA 1003 3' Reflector (Anodized Aluminum), (2) TEK Screws
RA 1004	(1) RA 1004 4' Reflector (Anodized Aluminum), (2) TEK Screws
RA 1006	(2) RA 1003 3' Reflector (Anodized Aluminum), (4) TEK Screws, (2) RAAC Alignment Clips, (1) RAAF Center Cap
RA 1008	(2) RA 1004 4' Reflector (Anodized Aluminum), (4) TEK Screws, (2) RAAC Alignment Clips, (1) RAAF Center Cap

Accessories

RW 501	1 or 2 Lamp Standard 4-1/4" Wide Socket Plate & (2) TEK Screws (Order 2 per fixture)
RW 511	1 Lamp Center Socket Plate & (2) TEK Screws, 4-1/4" Wide (Order 1 per 6' or 8' fixture)
RAAC	Clear Plastic Alignment Clip
RAAF	Center Cap

Note: For Highly Reflective Specular Aluminum, Delete Prefix "RA" and Replace with "RM" or for White Aluminum Delete "RA" and Replace with "RW".

This drawing is for reference only. Actual part dimensions will vary. Customer is urged to review actual samples to confirm fit and function. All specifications and dimensions are subject to change without notice.

1000REFL 06/12

Lighting
Plastics
Solutions
RETROFIT SPECIALISTS

www.mylpsolutions.com

info@mylpsolutions.com

TAMPA BAY

2140 Range Road, Suite A | Clearwater, FL 33765
800-587-3310 | 727-441-9581 | 727-446-2451 fax

SOUTHEAST US

3367 W Hospital Avenue, Suite B | Chamblee, GA 30341
800-548-9101 | 770-817-7020 | 770-817-7021 fax

CENTRAL FLORIDA

2119 Directors Row, Suite 5 | Orlando, FL 32809
800-682-4197 | 407-398-1001 | 407-398-1003 fax

NORTHEAST US

6965 Airport Highway Lane | Pennsauken, NJ 08109
856-661-2442 | 856-661-2447 fax