

LED-8089M 80W LED for HID Retrofit for Shoebox/Wallpack



Models

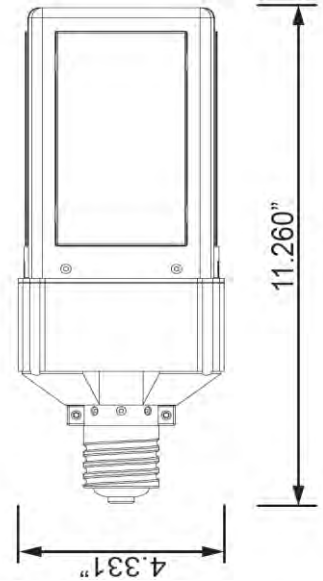
LED-8089MXX, 120-277VAC, ULus, 4000K or 5000K CCT, E39
 LED-8089MXXC, 120-347VAC, cUL, 4000K or 5000K CCT, E39

Features

- > 80W LED Replaces 250W MH or HPS HID Lamps
- > Rotatable base enables user to accurately direct output to target
- > Designed for Horizontal installations
- > UL approved for damp environments and enclosed fixtures
- > Advanced active cooling: Active cooling and dynamic temperature control
- > 50,000 hour rated LED life (supported by LM80 and ISTMT reports (see website))
- > 5 Year Limited Warranty - see website for details
- > Rated for enclosed fixture



Type V

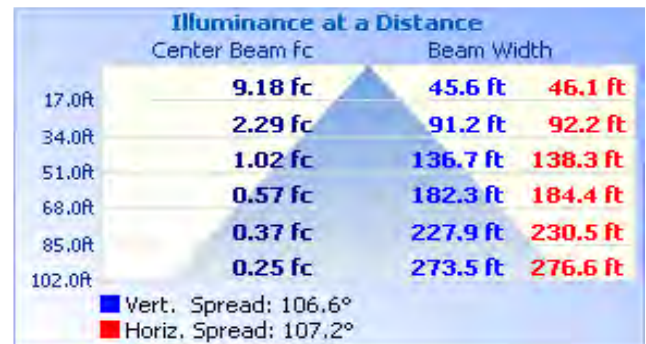


Technical Specifications

| Models US/CAN | LED-8089M30 | LED-8089M40 | LED-8089M50 | LED-8089M40C | LED-8089M50C |
|-------------------|-------------------|-------------|-------------|--------------|--------------|
| | USA | | | Canada | |
| CCT | 3000K | 4000K | 5000K | 4000K | 5000K |
| Power Consumption | 80 watts | | | | |
| Replaces | 250 MH/HPS | | | | |
| Mounting | E39 | | | | |
| Voltage | 120-277VAC | | 120-347VAC | | |
| LED Type | CREE XTE | | | | |
| Beam Angle | Type V | | | | |
| Dimmable | No | | | | |
| Operating Temp | -40°F - +122°F | | | | |
| Rated R70 Life | Up to 50,000 Hrs. | | | | |
| Warranty | 5 Year Limited* | | | | |

| DLC | MODEL | DLC CODE |
|-------|--|----------|
| DLC 0 | LED-8089M40C | PMM647V8 |
| | LED-8089M50C | PKSQB7V8 |
| | LED-8089M40 | PQ2S8Z8J |
| | LED-8089M50 | PHESSB3Q |
| | Approved Categories: Replacement Lamps for Outdoor Pole/Arm-mounted Area and Roadway Luminaires (Type B) | |

Lux Distance Curve



Installation Notes:

- Ballast must be bypassed
- Installing surge/lightning protectors is highly recommended
- Removing the reflector is recommended

| LM79 Specifications | Yes | Yes | Yes | Yes | Yes |
|---------------------|--------|-------|-------|-------|-------|
| Power (W) | 81.19 | 80.59 | 80.23 | 80.59 | 80.23 |
| CCT | 3137 | 3988 | 5482 | 3988 | 5482 |
| Light Output | 7122 | 6910 | 7403 | 6910 | 7403 |
| Efficacy | 87.72 | 85.75 | 92.28 | 85.75 | 92.28 |
| THD @ 277V | 13% | 19% | 19% | 19% | 19% |
| PF @ 277V | 0.98 | 0.917 | 0.854 | 0.917 | 0.854 |
| CRI: | 82.9 | 72.5 | 69.5 | 72.5 | 69.5 |
| R9 | 15 | 0 | 0 | 0 | 0 |
| Duv | -0.001 | 0.002 | 0.006 | 0.002 | 0.006 |

| LED Power Consumption (Watts) | HID Power Consumption (Watts) | HID Ballast Power Consumption (Watts) | Total Savings (Watts) | Annual Energy Savings (14 hrs/day) | Lifetime Energy Savings (over 50,000 hrs) |
|-------------------------------|-------------------------------|---------------------------------------|-----------------------|------------------------------------|---|
| 80 | 250 | 50 | 220 | \$124 | \$1,210.00 |

| | |
|-----------|--------------------------------|
| Packaging | 9 / Master Carton |
| Unit | 6.6"x 6.6"x 12.9" 2.9lbs. |
| Master | 20.7"x 18.5" x 13.8" 25.5 lbs. |

| Mounting Orientation | | | Minimum Fixture Size Requirements (inches) | |
|----------------------|-----------|----------|--|-------|
| Base Up | Base Down | Horiz | Length | Width |
| | | | 13.26 | 6.33 |
| Approved | Approved | Approved | Height | 6.33 |
| | | | Cu. Inches | 531.3 |



188 S. Northwest Highway • Cary, IL 60013
 (847) 380-3540 • FAX: (847) 380-3542
 www.led-llc.com

