

# LED-8088M 50W LED for HID Retrofit for Shoebox/Wallpack



## Models

LED-8088MXX, 120-277VAC, ULus, 4000K or 5700K CCT, E39  
 LED-8088MXXC, 120-347VAC, cUL, 4000K or 5700K CCT, E39



## Features

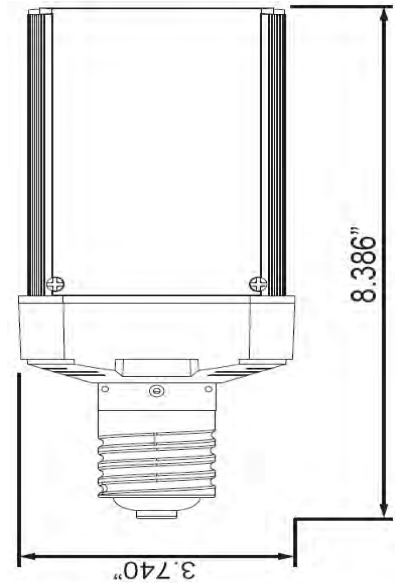
- > 50W LED Replaces 175W MH or HPS HID Lamps
- > Rotatable base enables user to accurately direct output to target
- > Designed for Horizontal installations
- > UL approved for damp environments and enclosed fixtures
- > Advanced active cooling: Active cooling and dynamic temperature control
- > 50,000 hour rated LED life (supported by LM80 and ISTMT reports (see website))
- > 5 Year Limited Warranty - see website for details

## Technical Specifications

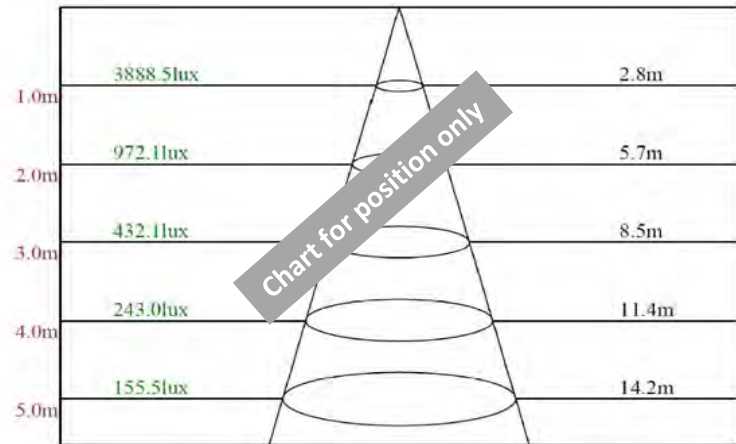
Models US/CAN	LED-8088M40/ LED-8088M40C	LED-8088M57/ LED-8088M57C
CCT	4000K	5700K
Power Consumption	50 watts	
Replaces	175 MH/HPS	
Mounting	E39	
Voltage	120-277VAC (USA) 120-347VAC (CANADA)	
LED Type	HongLi 2835	
Beam Angle	Type V	
Dimmable	No	
Operating Temp	-40°F - +122°F	
Rated R70 Life	Up to 50,000 Hrs.	
Warranty	5 Year Limited*	
<b>LM79 Specifications</b>	<b>Yes</b>	<b>Yes</b>
Power (W)	52	53
CCT	4046	5703
Light Output	6079	6215
Efficacy	116	116
THD @ 277V	<20%	19.79%
PF @ 277V	>90	90
CRI:	81	84
R9	0	9
Duv	0.0007	0.0018
<b>Packaging</b>	9 / Master Carton	
Unit	5.3"x 4.7"x 10.1" 1.8lbs.	
Master	16.7"x 15" x 10.8" 13.8 lbs.	



Type V



## Lux Distance Curve



Beam angle of C90plane109.74

LED Power Consumption (Watts)	HID Power Consumption (Watts)	HID Ballast Power Consumption (Watts)	Total Savings (Watts)	Annual Energy Savings (14 hrs/day)	Lifetime Energy Savings (over 50,000 hrs)
50	175	30	155	\$87	\$852.50

Mounting Orientation			Minimum Fixture Size Requirements (inches)	
Base Up	Base Down	Horiz	Length	9.7
			Width	5.7
			Height	5.7
Approved	Approved	Approved	Cu. Inches	315.2



188 S. Northwest Highway • Cary, IL 60013  
 (847) 380-3540 • FAX: (847) 380-3542  
 www.led-llc.com