

# LED-8087E-A 30W LED for HID Retrofit for Shoebox/Wallpack



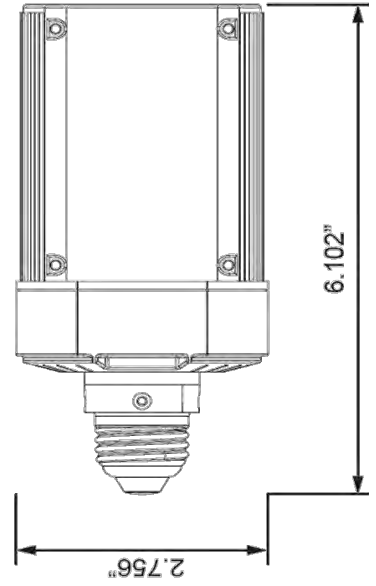
## Models

LED-8087EXX-A, 120-277VAC, cULus, 3000K, 4000K or 5700K CCT, E26

LED-8087EXXC-A, 347VAC, cUL, 4000K or 5700K CCT, E26

## Features

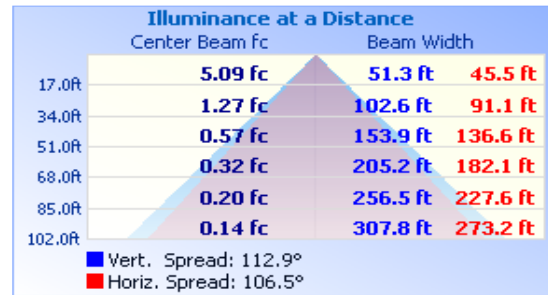
- > 30W LED Replaces 100W MH or HPS HID Lamps
- > Rotatable base enables user to accurately direct output to target
- > Designed for Horizontal installations
- > UL approved for damp environments and enclosed fixtures
- > Advanced active cooling: Active cooling and dynamic temperature control
- > 50,000 hour rated LED life (supported by LM80 and ISTMT reports (see website))
- > 5 Year Limited Warranty - see website for details
- > Rated for enclosed fixture



## Technical Specifications

Models US/CAN	LED-8087E30-A	LED-8087E40-A	LED-8087E57-A	LED-8087E40C-A	LED-8087E57C-A
CCT	3000K	4000K	5700K	4000K	5700K
Power Consumption	30 watts				
Replaces	100 MH/HPS				
Mounting	E26				
Voltage	120-277VAC (USA) 347VAC (CANADA)				
LED Type	2835				
Beam Angle	Type V				
Dimmable	No				
Operating Temp	-40°F - +122°F				
Rated R70 Life	Up to 50,000 Hrs.				
Warranty	5 Year Limited*				

## Illuminance Plots



## Installation Notes:

- Ballast must be bypassed
- Installing surge/lightning protectors is highly recommended

LED Power Consumption (Watts)	HID Power Consumption (Watts)	HID Ballast Power Consumption (Watts)	Total Savings (Watts)	Annual Energy Savings (14 hrs/day)	Lifetime Energy Savings (over 50,000 hrs)
30	100	20	90	\$51	\$495.00

LM79 Specifications	Yes	Yes	Yes	Yes	Yes
Power (W)	3248	32.85	32.79	31.23	31.26
CCT	2912	4041	5636	4046	5636
Light Output	3482.8	4171	4225	3992	4058
Efficacy	107.23	126.97	128.85	127	129
THD @ 277V	12.95%	11.65%	11.76%	<20%	<20%
PF @ 277V	0.9322	0.92	0.92	0.96	0.97
CRI:	81.4	83.5	84.4	83.8	84.6
R9	4	11	9	12	12
Duv	-0.0006	0.0005	0.0034	0.0004	0.0018
Packaging	9 / Master Carton				
Unit	4.3"x 4.1"x 7.6" X.X lbs.				
Master	13.8"x 13.1" x 8.3" XX.X lbs.				

Mounting Orientation			Minimum Fixture Size Requirements (inches)	
Base Up	Base Down	Horiz	Length	Width
			8.1	4.7
Approved	Approved	Approved	Height	4.7
			Cu. Inches	178.9



188 S. Northwest Highway • Cary, IL 60013  
 (847) 380-3540 • FAX: (847) 380-3542  
[www.led-llc.com](http://www.led-llc.com)