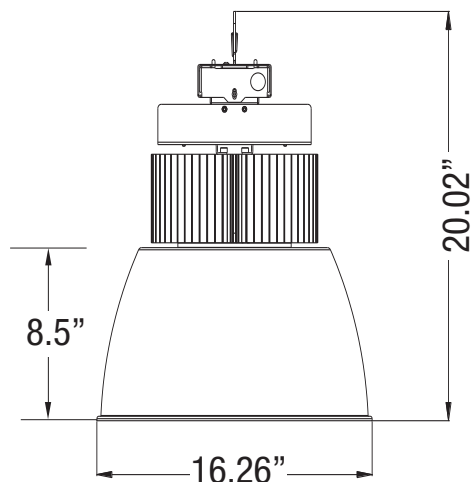


# 200W LED High Bay with Visual Comfort Reflector

*Replace your old 400 Watt HPS/MH fixtures and save on energy and service costs*

## Features

- DLC Approved
- Visual Comfort Reflector
- CCT: 5,000K
- Lumens: 25,000 – 125 lm per watt.
- Warranty 5 yrs. – 50,000 hrs
- Beam angle: 75°
- 0-10V dimming.
- Power Supply: IP-65, non-isolated.
- 120-277 volt
- Net Weight: 11.9 lbs.



**Lighting**  
Plastics  
**Solutions**

RETROFIT SPECIALISTS

Toll Free 800-587-3310  
sales@mylpsolutions.com  
www.mylpsolutions.com

Tampa Orlando Atlanta Philadelphia