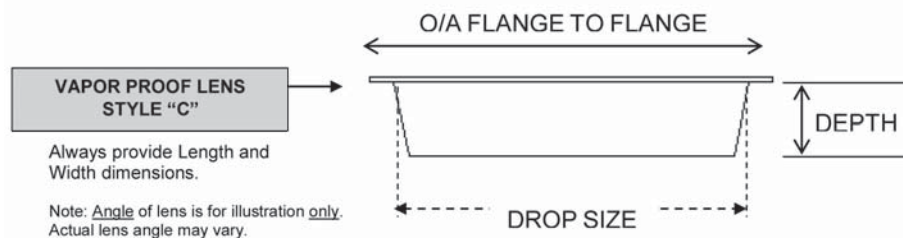
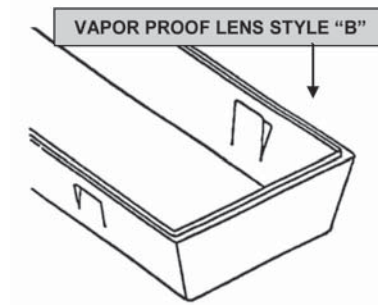
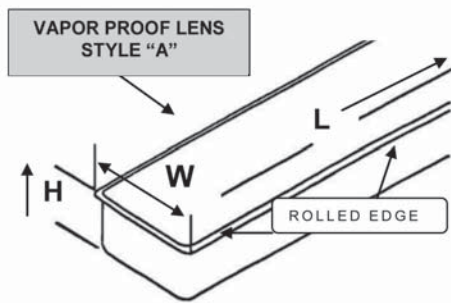


## Vapor Proof Lens



**SELECT THE VAPOR PROOF LENS STYLE (A/B/C)**  A  B  C **QUANTITY** \_\_\_\_\_

1. Supply a **sample** if possible..... \_\_\_\_\_
2. Measure the **width** at end of diffuser from outside edge to outside edge..... \_\_\_\_\_
3. Measure the **length** of diffuser from outside of each end..... \_\_\_\_\_
4. Measure total **depth**..... \_\_\_\_\_
5. If applicable, **specify hole or notch** location on center from each end of length..... \_\_\_\_\_
6. Latches / Clips. Wide variety is available. Specify Qty. \_\_\_\_\_

Vapor proof diffusers/lenses are vacuum formed from high-impact acrylic or polycarbonate in both 4 ft and 8 ft lengths with custom holes or notches if needed.

Company Name \_\_\_\_\_ Contact Name \_\_\_\_\_

Phone (    ) \_\_\_\_\_ Email \_\_\_\_\_

### Two Convenient Ways to Return This Worksheet & Receive a Fast Estimate:

1. Complete online and email to [sales@mylpsolutions.com](mailto:sales@mylpsolutions.com)
2. Or print, fill out, and fax to office below that is closest to you