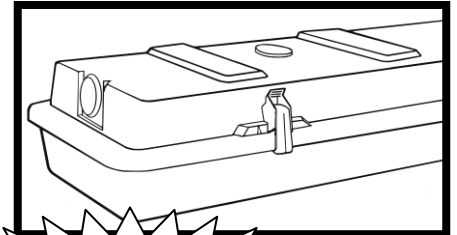
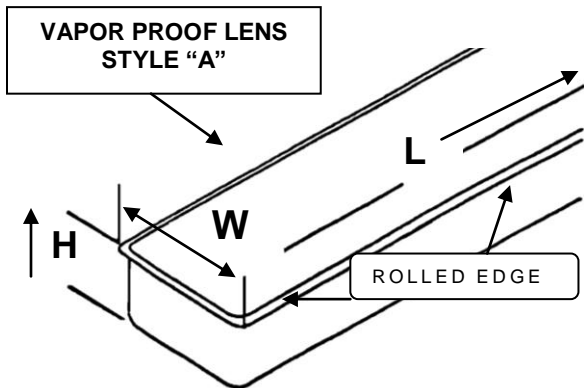


LIGHTING PLASTICS

OF FLORIDA, INC.

SUPPLIERS OF PLASTIC LENSES, LOUVERS, AND DIFFUSERS FOR LIGHTING

VAPOR PROOF LENSES



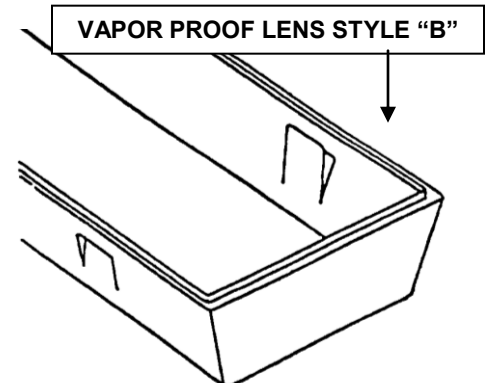
ASK ABOUT OUR GASKETED ENCLOSURES, WITH DETACHABLE CLIPS. AVAILABLE IN 4 AND 8 FT LENGTHS.

TO ORDER A VAPOR PROOF LENS IN ANY STYLE (A/B/C)

1. Supply a **sample** if possible.
2. Measure the **width** of diffuser from outside to outside corner.
3. Measure the **length** of diffuser from outside to outside corner.
4. Measure total **depth**.
5. If applicable, **specify hole or notch** location (center to center) and from each end of length and width.
6. Specify part number if **detachable clip (latch)** is required.

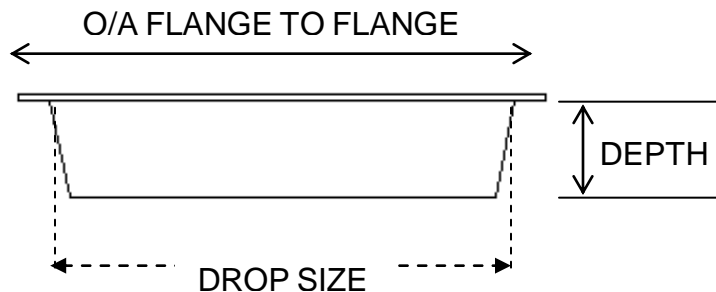
Vapor proof diffusers/lenses are vacuum formed from high-impact acrylic or polycarbonate in both 4ft and 8ft lengths with custom holes or notches if needed.

Order side clips. Clip Part #: **LPF LATCH (DM, DV, LU, OR TP)**.



Always provide Length and Width dimensions.

Note: Angle of lens is for illustration only. Actual lens angle may vary.



LIGHTING PLASTICS OF FLORIDA, INC.

2013 Weaver Park Drive ♦ Clearwater Florida 33765

Ph: (727) 441-9581 ♦ Fax: (727) 446-2451 ♦ lightingplastics@ij.net

