

UARDIAC RHT Retrofit Shielding Kit

2x2, 2x4 Recessed Direct / Indirect



UARDIAC RHT 2x4

Elegant Design

The RDIAC RHT incorporates a radial Duri-Flex™ high transmission optic between sloping acrylic panels providing the look and feel of a deep RDI luminaire — subtle soft indirect elements, interest and depth across the ceiling plane — with a kit that consumes minimal space and material.

Efficient Solution

The contoured side panels of the unit are high transmission acrylic that provide a low-brightness glow, with the majority of the light controlled through the center optical element.

UA Recessed Direct Indirect Louver Featuring Radial High-Transmission Center Overlay

UARDIAC22RHT-WB	2x2 Acrylic RDI w/Radial Duri-Flex HT Center Overlay "UA" White Universal Adapter Kit
UARDIAC24RHT-WB	2x4 Acrylic RDI w/Radial Duri-Flex HT Center Overlay "UA" White Universal Adapter Kit
UARDIAC22RHT-BB	2x2 Acrylic RDI w/Radial Duri-Flex HT Center Overlay "UA" Black Universal Adapter Kit
UARDIAC24RHT-BB	2x4 Acrylic RDI w/Radial Duri-Flex HT Center Overlay "UA" Black Universal Adapter Kit

Application

For use with most recessed fixtures in standard 15/16" grid ceiling systems. Ideal for single lamp systems.

Ordering Information

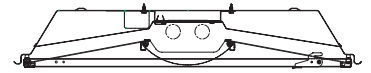
Please call 800-587-3310 for price and delivery.



Retrofit fixture without lifting, measuring or cutting.
Patent Pending

Wiring Kit and Reflector Option

RK124MW	2x4 Reflector kit 1L and 2L, 4ft T8/T5 Matte White
RK122MW	2x2 Reflector kit 1L and 2L, 2ft T8/T5 Matte White
RR401-MW	Reflector rail 4ft, Matte White
RR201-MW	Reflector rail 2ft, Matte White



UARDIAC RHT

2x2, 2x4
Recessed Direct / Indirect

Specifications

Door Frame

Features positive latching mechanism for easy re-lamping.

Direct Optical Component

High reflectance optical engine delivers main beam focus through the revolutionary Duri-Flex™ HT diffusing panel. With 93% transmission and 89% haze, the result is extraordinary control and efficiency. The radial curve reduces interior reflections and improves transmission. The Radial HT geometry is particularly suited for single lamp conversions.

Diffuser Surround:

(2) Sloping high transmission acrylic diffuser panels manage contrast and generate soft, even, higher angle luminance.

Reflector

Multi-radii high reflectance white reflector distributes light through both optical elements.

Luminaire Type

Fits most standard lay-in lensed or parabolic housings 2X2' and 2X4'.

Lamps

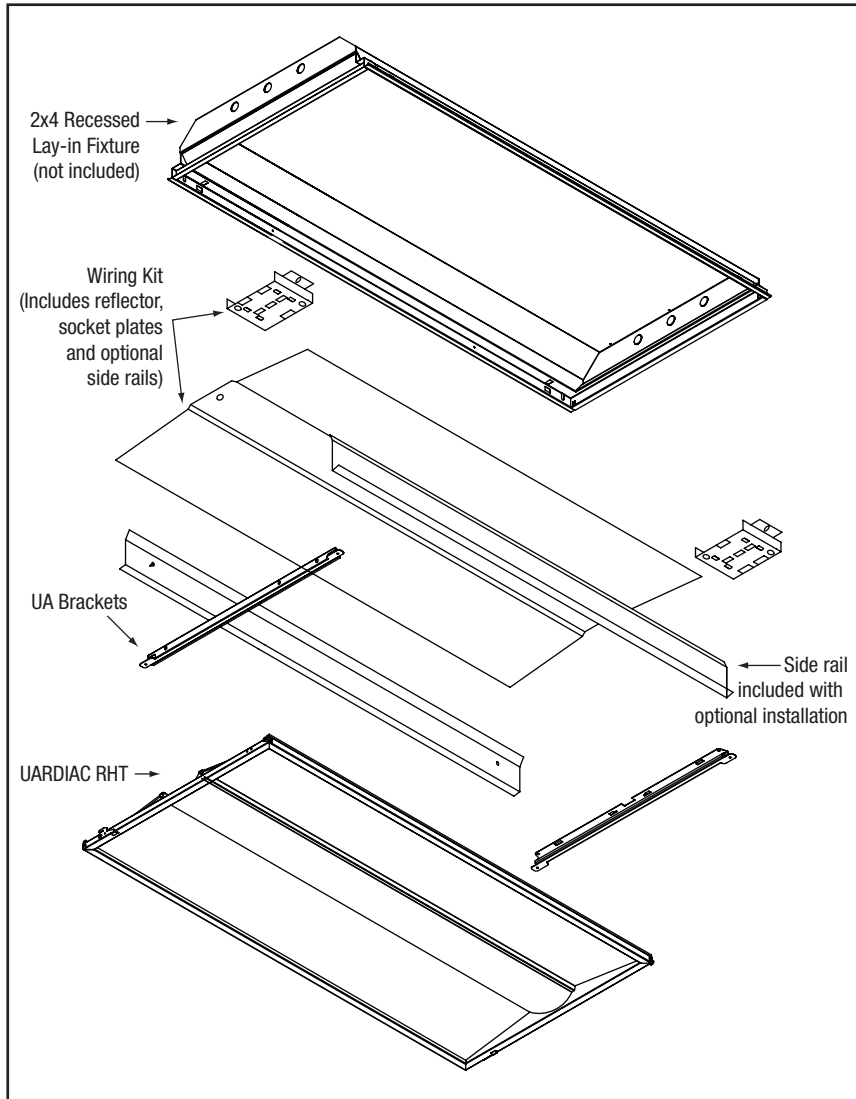
1- or 2-lamp T8 or T5 fluorescent wiring kits available.

Lighting
Plastics
Solutions

RETROFIT SPECIALISTS

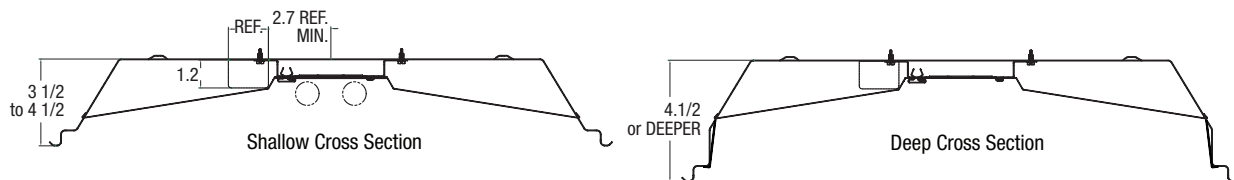
UARDIAC RHT Retrofit Shielding Kit

2x2, 2x4 Recessed Direct / Indirect



Wiring Kit and Reflector Option

RK124MW	2x4 Reflector kit 1L and 2L, 4ft T8/T5 Matte White
RK122MW	2x2 Reflector kit 1L and 2L, 2ft T8/T5 Matte White
RR401-MW	Reflector rail 4ft, Matte White
RR201-MW	Reflector rail 2ft, Matte White



Wiring Kit and Reflector Product Dimensions

Notice

Lighting Plastics Solutions, assumes no responsibility for suitability of these materials in any luminaire or application. Please test for fit and function prior to ordering project quantities.

Lighting
Plastics
Solutions

RETROFIT SPECIALISTS

www.mylpsolutions.com

TAMPA BAY

2140 Range Road, Suite A | Clearwater, FL 33765
800-587-3310 | 727-441-9581 | 727-446-2451 fax

CENTRAL FLORIDA

2119 Directors Row, Suite 5 | Orlando, FL 32809
800-682-4197 | 407-398-1001 | 407-398-1003 fax

info@mylpsolutions.com

SOUTHEAST US

3367 W Hospital Avenue, Suite B | Chamblee, GA 30341
800-548-9101 | 770-817-7020 | 770-817-7021 fax

NORTHEAST US

6965 Airport Highway Lane | Pennsauken, NJ 08109
856-661-2442 | 856-661-2447 fax