

UARDIAC OA Retrofit Shielding Kit

2x2, 2x4 Recessed Direct / Indirect



UARDIAC OA 2x4

Elegant Design

The RDIAC OA integrates a white aluminum baffle into the RDIAC family. The sloping acrylic side panels and unique lamp placement maintains the look and feel of a deep RDI luminaire — subtle soft indirect elements, interest and depth across the ceiling plane — with a kit that consumes minimal space and material.

Efficient Solution

The contoured panels of the unit are high transmission acrylic that provide a low-brightness glow, while the center rails and high reflectance white baffle blades control the primary beam.

Application

For use with most recessed lay-in fixtures in standard 15/16" grid ceiling systems.

Ordering Information

Please call 800-587-3310 for price and delivery.



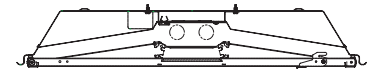
Retrofit fixture without lifting, measuring or cutting.
Patent Pending

Wiring Kit and Reflector Option

RK124MW	2x4 Reflector kit 1L and 2L, 4ft T8/T5 Matte White
RK122MW	2x2 Reflector kit 1L and 2L, 2ft T8/T5 Matte White
RR401-MW	Reflector rail 4ft, Matte White
RR201-MW	Reflector rail 2ft, Matte White

UA Recessed Direct Indirect Louver Featuring Center Aluminum Parabolic Baffle

UARDIAC240ABWBB	2x4 Acrylic RDI w/Center White Baffle "UA" Black Universal Adapter Kit
UARDIAC220ABWBB	2x2 Acrylic RDI w/Center White Baffle "UA" Black Universal Adapter Kit
UARDIAC240ABWWB	2x4 Acrylic RDI w/Center White Baffle "UA" White Universal Adapter Kit
UARDIAC220ABWWB	2x2 Acrylic RDI w/Center White Baffle "UA" White Universal Adapter Kit
UARDIAC240ADMBB	2x4 Acrylic RDI w/Center Semi-Specular Baffle "UA" Black Universal Adapter Kit
UARDIAC220ADMBB	2x2 Acrylic RDI w/Center Semi-Specular Baffle "UA" Black Universal Adapter Kit
UARDIAC240ADMWB	2x4 Acrylic RDI w/Center Semi-Specular Baffle "UA" White Universal Adapter Kit
UARDIAC220ADMWB	2x2 Acrylic RDI w/Center Semi-Specular Baffle "UA" White Universal Adapter Kit



UARDIAC OA

2x2, 2x4
Recessed Direct / Indirect

Specifications

Door Frame

Features positive latching mechanism for easy re-lamping.

Direct Optical Component

High reflectance optical engine delivers main beam focus through the bright white parabolic baffle.

With 90% reflectance and parabolic shape, the result is an ideal balance between brightness control and efficiency.

Diffuser Surround:

(2) Sloping high transmission acrylic diffuser panels manage contrast and generate soft, even, higher angle luminance.

Reflector

Multi-radii high reflectance white reflector distributes light through both optical elements.

Luminaire Type

Fits most standard lay-in lensed or parabolic housings 2X2' and 2X4'.

Lamps

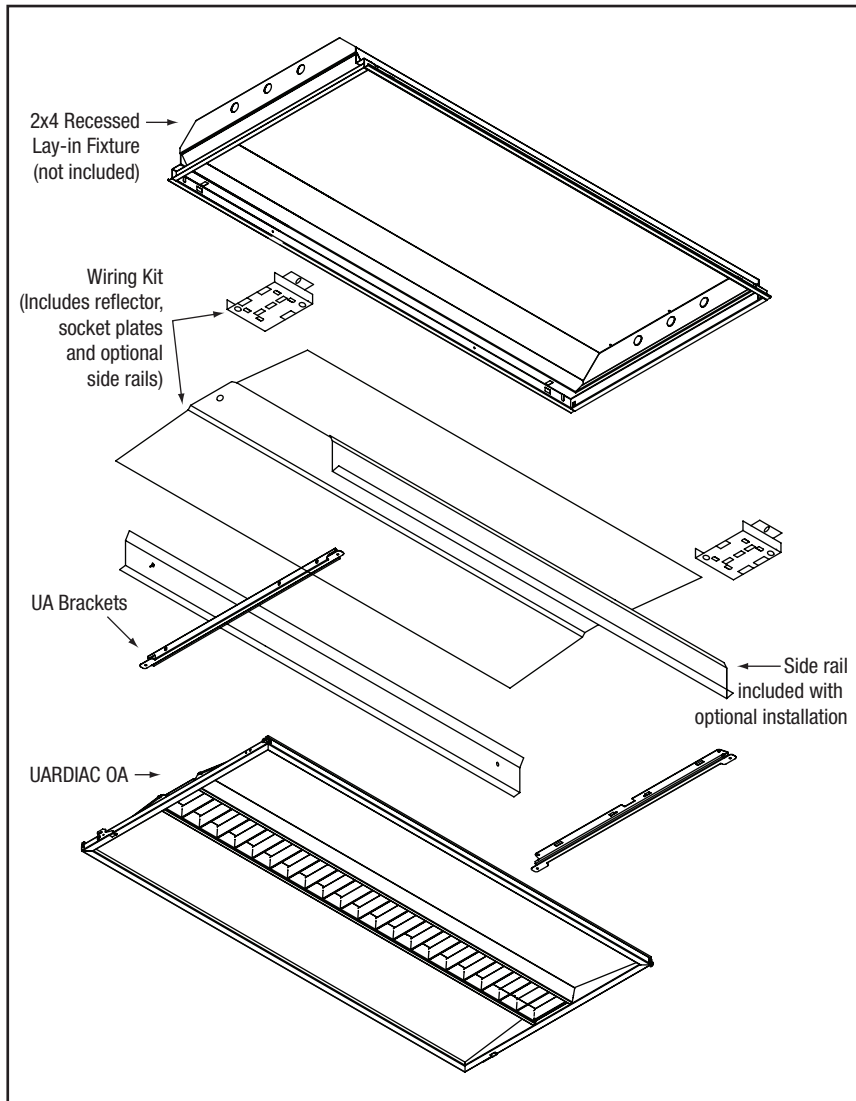
1- or 2-lamp T8 or T5 fluorescent wiring kits available.

Lighting Plastics Solutions

RETROFIT SPECIALISTS

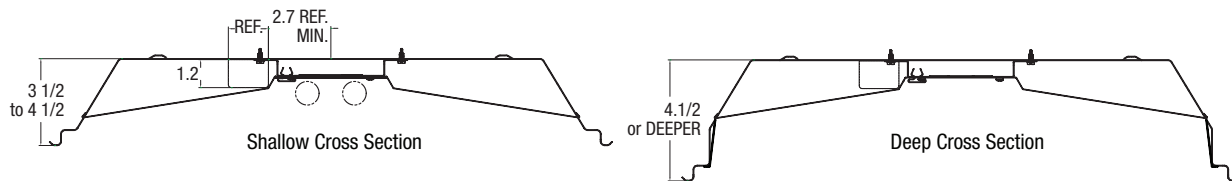
UARDIAC OA Retrofit Shielding Kit

2x2, 2x4 Recessed Direct / Indirect



Wiring Kit and Reflector Option

RK124MW	2x4 Reflector kit 1L and 2L, 4ft T8/T5 Matte White
RK122MW	2x2 Reflector kit 1L and 2L, 2ft T8/T5 Matte White
RR401-MW	Reflector rail 4ft, Matte White
RR201-MW	Reflector rail 2ft, Matte White



Wiring Kit and Reflector Product Dimensions

Notice

Lighting Plastics Solutions, assumes no responsibility for suitability of these materials in any luminaire or application. Please test for fit and function prior to ordering project quantities.

UARDIAC0A 0612

Lighting
Plastics
Solutions
RETROFIT SPECIALISTS

www.mylpsolutions.com

info@mylpsolutions.com

TAMPA BAY

2140 Range Road, Suite A | Clearwater, FL 33765
800-587-3310 | 727-441-9581 | 727-446-2451 fax

CENTRAL FLORIDA

2119 Directors Row, Suite 5 | Orlando, FL 32809
800-682-4197 | 407-398-1001 | 407-398-1003 fax

SOUTHEAST US

3367 W Hospital Avenue, Suite B | Chamblee, GA 30341
800-548-9101 | 770-817-7020 | 770-817-7021 fax

NORTHEAST US

6965 Airport Highway Lane | Pennsauken, NJ 08109
856-661-2442 | 856-661-2447 fax