

PRISMATIC POST TOP

The Lindy® Model 424



Model 424 Type V

Description

LexaLite's The Lindy® Model 424 refractor and prismatic top feature a traditional turn-of-the-century shape and state-of-the-art photometric performance. The 424 Series is available in IES Type III and Type V distributions, and will classify as medium, non-cutoff or semi-cutoff, depending upon lamp type and lamp center location. The assembled refractor bottom and top are 15.9" in diameter, 23.16" high and are available in 8" or 9" diameter fitters for pole heights 10'-20'. Both the refractor and prismatic top are available in polycarbonate, for use in areas where breakage is a concern; and HID acrylic and acrylic Moon Glow™ (diffuse acrylic), for high efficiency in general lighting applications. Both components can be produced in high heat acrylic and impact acrylics.

Application

LexaLite's Model 424 refractor and Model 424 prismatic top are for use in parks, along walkways, roadways or areas where a distinctive nostalgic theme is prevalent.

Lamp Data

The Model 424 is capable of being used with 150W diffuse HPS or 175W coated MH vertical base down lamps and can be used with up to 250W lamps. Luminaire design, reflector

configuration, lamp position and ambient temperature will affect the inside surface temperature. Thermal tests should be conducted on each luminaire design to confirm appropriate lamp size for the application.

Ordering Information

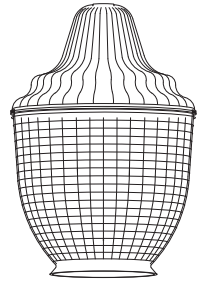
Please call 877-257-5841 for price and delivery. Typical lead time is four to six weeks.

Service Life

The service life of acrylic refractors is virtually unlimited when used within the recommended temperature limit. Acrylic versions are covered by our 10 year limited warranty. Polycarbonate refractors are subject to yellowing especially when used with high ultraviolet output light sources; this effect is enhanced at high temperatures.

Notice

A.L.P. Lighting Components, Inc. assumes no responsibility for suitability of luminaires and applications. The use of our molded products at excessive temperatures with high UV output light sources will cause degradation of the material. Information regarding the use of lenses and refractors with Metal Halide lamps can be found in the Products/Technical Resources section of our web site at www.alplighting.com. *See second page for important UL information.



-Model 424

23.16" high
15.9" diameter

NOSTALGIC POST TOP
FOR STREET AND
AREA LIGHTING

TYPE III AND TYPE V
DISTRIBUTIONS

Model 424 Type III
Medium non-cutoff
81.25% Efficiency
14.57% Uplight with LiteLid®
66.68% Downlight

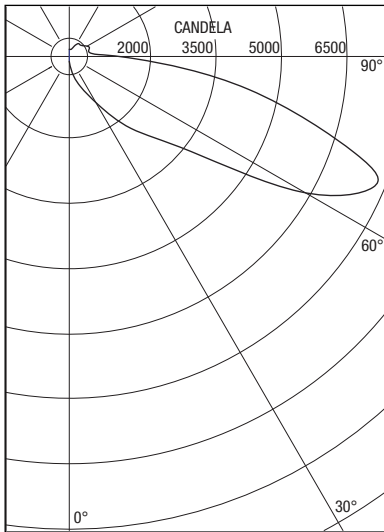
Materials: Acrylic,
Acrylic Moon Glow™
and Polycarbonate



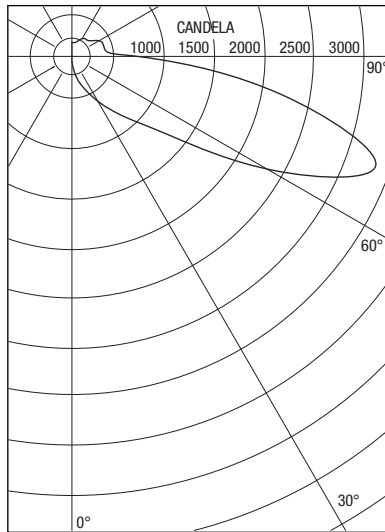
A.L.P.
LIGHTING COMPONENTS, INC.
WEB SITE: WWW.ALPLIGHTING.COM



Model 424



Report Number: ITL48610
 Total Luminaire Efficiency = 81.25%
 IES Classification: Type III, Medium, Non-Cutoff



Report Number: ITL48623
 Total Luminaire Efficiency = 81.72%
 IES Classification: Type V, Semi-cutoff

Photometrics:

The Model 424 Type III, coupled with the perforated LiteLid, Model 424 top and a 150W diffuse HPS lamp, produces 7792 candela at 67.5° vertical and 73.3° lateral (ITL48610). The Model 424 Type V, coupled with the perforated LiteLid, Model 424 top and a 150W diffuse HPS lamp, produces 3337 candela at 70° vertical (ITL48623). Both the Type III and V distributions are optimized with diffuse HPS and coated MH lamps. Use of clear lamps may produce reduced uniformity. Individual luminaire performance depends on the lamp center position and the reflector design chosen. Each luminaire design should be individually tested for proper classification. Please call for additional photometric data. Light center location for the Type V shown in report ITL 48623 is 2.7" down from upper rim.

Accessories

LiteLid® should be utilized in light pollution-sensitive areas to redirect potentially wasted uplight into increased downward efficiencies. The LiteLid allows just enough uplight for a pleasing glow. LiteLids are patented, aluminum reflectors which fit between the top and bottom components.

4245P Perforated LiteLid

4245N Non-perforated LiteLid

Stainless Steel Clamp Band For attachment of top.

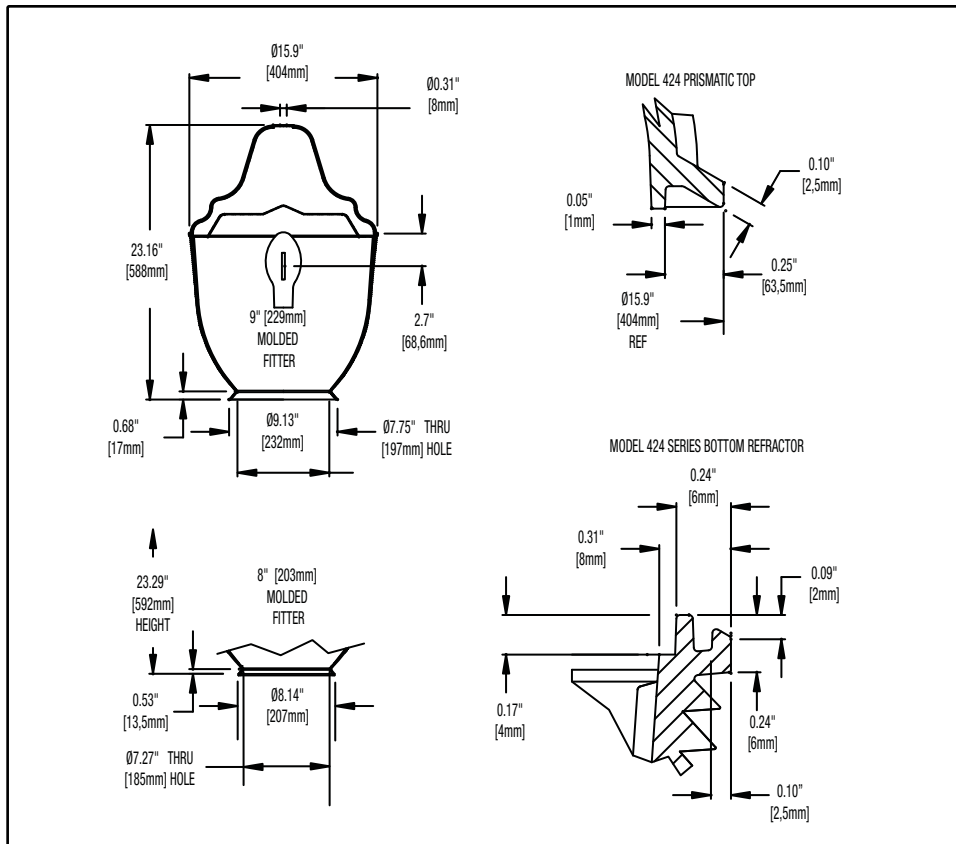
Finials Available in either black flame or black spike design.

Neck Ring Protects fitter from metal screws.

Materials

See the LexaLite® brand price list for current part numbers and material offerings. Up-to-date and detailed material specifications can be found in the Products/Technical Resources section of our web site at www.alplighting.com.

When using an acrylic Model 424, the surface temperature of the refractor should not exceed 80°C. When using a polycarbonate Model 424, the surface temperature of the refractor should not exceed 90°C.



This drawing is for reference only. Actual part dimensions will vary. Customer is urged to review actual samples to confirm fit and function. All specifications and dimensions are subject to change without notice.

***Effective June 30, 2010, lenses associated with this product will no longer be UL recognized components. A.L.P. LexaLite recommends the use of open rated lamps with any polymeric lens. These lenses should not be used as arc retention devices.**