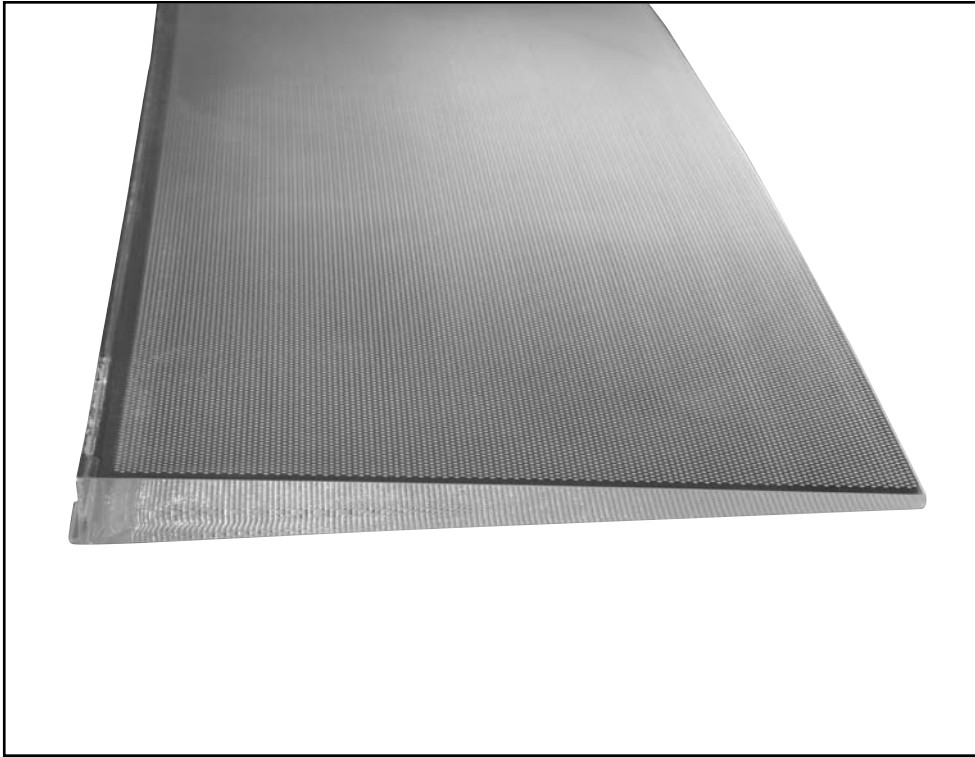


LLEDGE WEDGELIT™

Direct/Indirect Edgelit Panel



LLEDge Wedgelit

Description

The LLEDge Wedgelit Prismatic Edgelit Panel is an injection molded component manufactured using acrylic specifically designed for edge lighting applications. LLEDge technology is available in a 6" x 48" panel.

Application

The LLEDge Wedgelit Prismatic Edgelit Panel has been designed for direct and indirect applications. It is particularly well-suited to low profile suspended luminaires. The LLEDge Wedgelit offers glare-free light control with precise prisms created in the injection molding process that provide a uniform, neutral density component. The panel is available with optional extruded lens for improved high angle brightness control.

Lamp Data

The LLEDge Wedgelit Prismatic Edgelit Panel offers superior light extraction from T2, T5, T8 and LED's.

Ordering Information

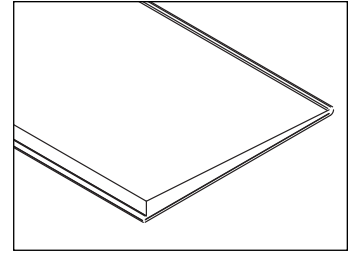
Please call 877-257-5841 for price and delivery. Typical lead time is four to six weeks.

Service Life

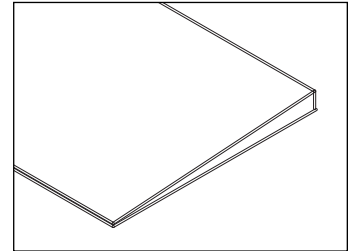
The service life of the LLEDge Wedgelit Prismatic Edgelit Panel is virtually unlimited when used within the recommended temperature limit of 70°C.

Notice

A.L.P. Lighting Components, Inc. assumes no responsibility for suitability of luminaires and applications. The use of our molded products at excessive temperatures with high UV output light sources will cause degradation of the material.



Edgelit panel with extruded lens



Edgelit panel without extruded lens

LLEDge Wedgelit

6" X 48" X .5"
Material: Acrylic

PRISMATIC EDGELIT PANELS FOR
COMMERCIAL, INSTITUTIONAL,
DECORATIVE APPLICATIONS

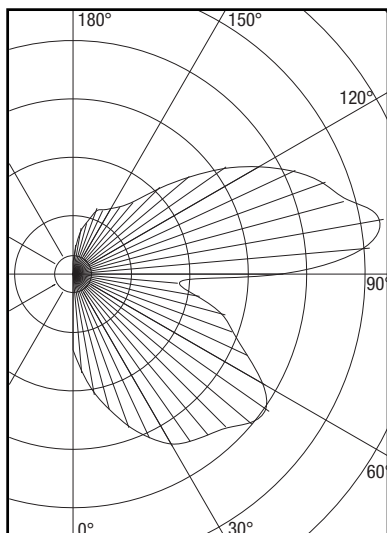
Patented



A.L.P.
LIGHTING COMPONENTS, INC.
WEB SITE: WWW.ALPLIGHTING.COM

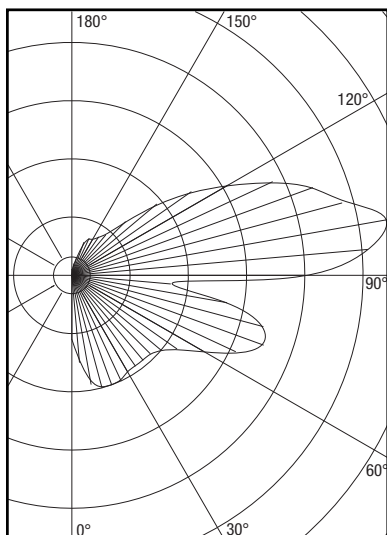
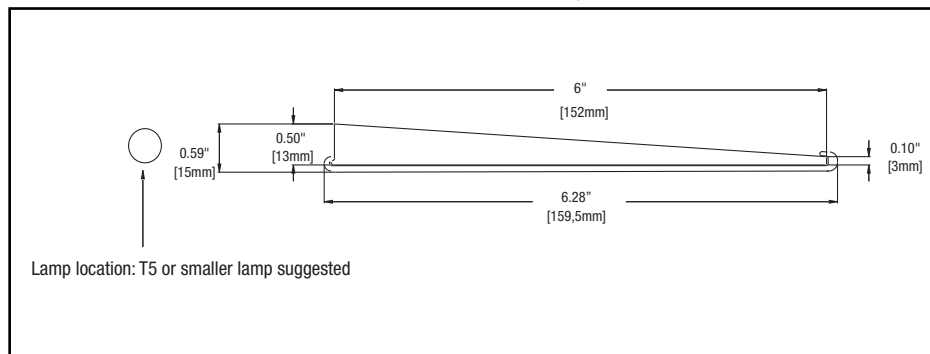
LEXALITE

LLedge Wedgelit



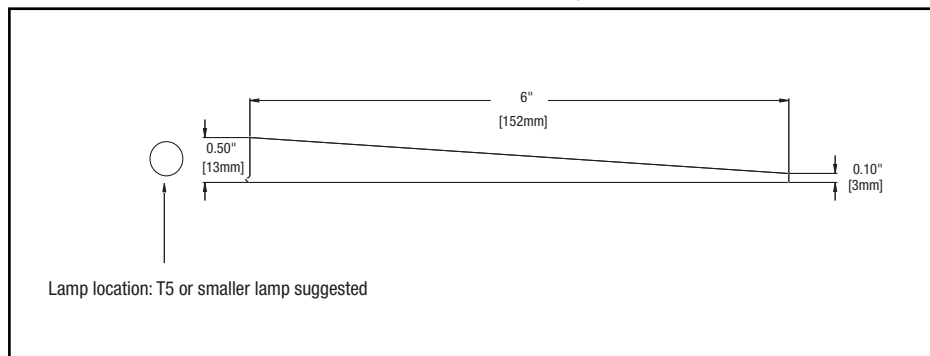
Edgelit panel with extruded lens

Photometric curves for reference only. Curve shows output of the light which enters the panel.



Edgelit panel without extruded lens

Photometric curves for reference only. Curve shows output of the light which enters the panel.



**This drawing is for reference only. Actual part dimensions will vary.
Customer is urged to review actual samples to confirm fit and function.
All specifications and dimensions are subject to change without notice.**

