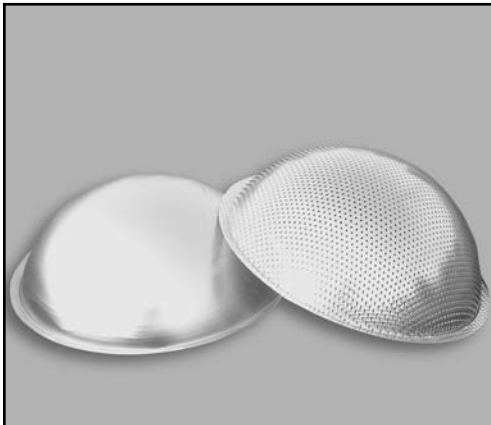
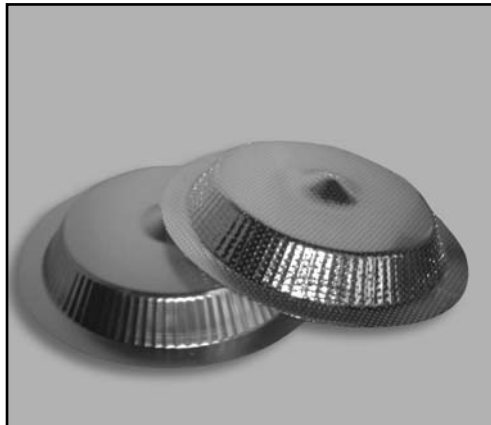


LITELID®

Models 408 & 424/425



408 LiteLids



424/425 LiteLids

Description

LiteLids are patented, aluminum reflectors which fit between the top and bottom components.

LiteLids should be utilized in light pollution sensitive areas to redirect potentially wasted uplight into increased downward efficiencies. The LiteLid allows just enough uplight for a pleasing glow. LiteLids decrease uplight 30-40%, and increase downlight by 20-25%.

Application

The Model 408 LiteLid is 13.65 inches in diameter, and is available in non-perforated (Model 408N) or perforated versions (Model 408P). The Model 408 LiteLid is designed to mate with our Little Lindy® Model 408 post top acorn globes.

The Model 424/425 LiteLid is 15.04 inches in diameter, and is available in non-perforated (Model 4245N) or perforated versions (Model 4245P). The LiteLid Model 424/425 can be used in post top applications for LexaLite Models 200/205/210/215, and The Lindy® Models 424/425 post top acorn globes.

Ordering Information

Please call 877-257-5841 for price and delivery. Typical lead time is four to six weeks.

LITELID®

Models 408 & 424/425
ALUMINUM REFLECTOR FOR USE IN
POST TOP LIGHTING APPLICATIONS
TO REDUCE LIGHT TRESPASS
AND INCREASE
DOWNWARD EFFICIENCIES

Model 408

13.65" diameter
Model 408N Non-perforated
Model 408P Perforated

Accessory for:

Little Lindy Model 408 Post Tops

Material: Aluminum

Model 424/425

15.04" diameter
Model 4245N Non-perforated
Model 4245P Perforated

Accessory for:

Models 200/205/210/215
The Lindy Models 424 and 425
Post Tops

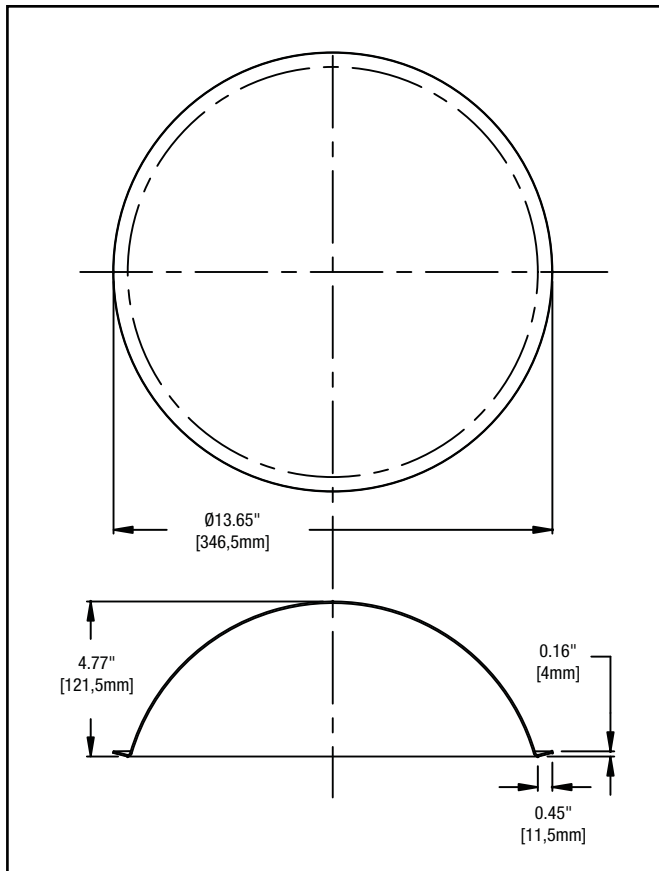
Material: Aluminum



A.L.P.
LIGHTING COMPONENTS, INC.
WEB SITE: WWW.ALPLIGHTING.COM



Models 408 and 424/425 LiteLid®



Model 408 LiteLid

Aluminum accessory for the Little Lindy Model 408 post top acorn globes.

Model 408N: Non-perforated LiteLid

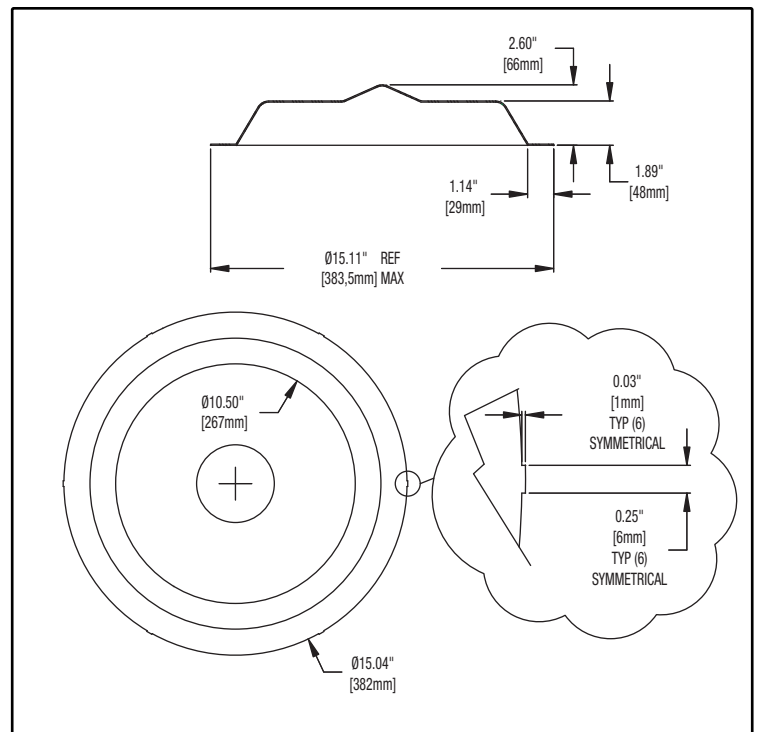
Model 408P: Perforated LiteLid

Model 424/425 LiteLid

Aluminum accessory for the:
Models 200/205/210/215 refractor
The Lindy Models 424/425 post top acorn globes.

Model 4245N: Non-perforated LiteLid

Model 4245P: Perforated LiteLid



**These drawings are for reference only. Actual part dimensions will vary.
Customer is urged to review actual samples to confirm fit and function.
All specifications and dimensions are subject to change without notice.**