

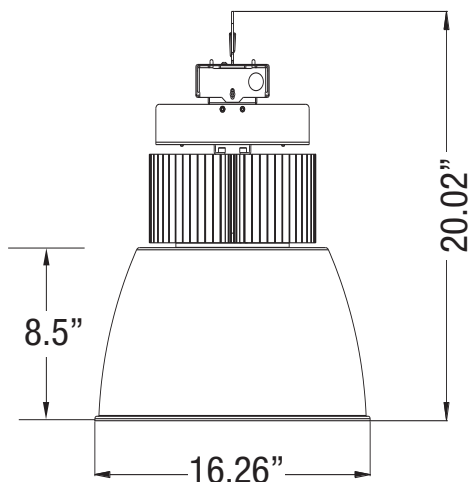
100W LED High Bay with Visual Comfort Reflector

Replace your old 200-250 Watt HPS/MH fixtures and save on energy and service costs

Features

- DLC Approved
- Visual Comfort Reflector
- CCT: 5,000K
- Lumens: 11,000 – 100 lm per watt.
- Warranty 5 yrs. – 50,000 hrs
- Beam angle: 75°
- 0-10V dimming.
- Power Supply: IP-65, non-isolated.
- 120-277 volt
- Net Weight: 11.9 lbs.

21st Century Product!



Lighting
Plastics
Solutions

RETROFIT SPECIALISTS

Toll Free 800-587-3310
sales@mylpsolutions.com
www.mylpsolutions.com

Tampa Orlando Atlanta Philadelphia