

# LED-8055M 30W LED for HID Retrofit for Recessed/ Flood



## Models

LED-8055MXX, 120-277VAC, cULus, 2700K, 4000K or 5700K CCT, E39

LED-8055MXXC, 120-347VAC, cUL, 2700K, 4000K or 5700K CCT, E39

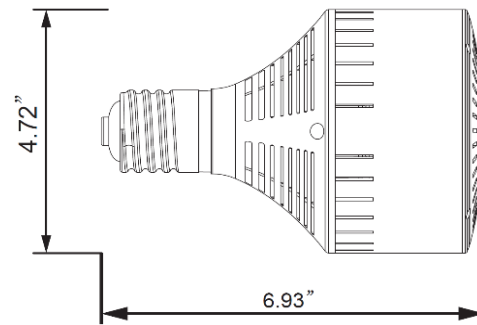
## Features

- > 30W LED Replaces 100W MH or HPS HID Lamps
- > UL approved for damp environments and enclosed fixtures
- > Advanced active cooling: Active cooling and dynamic temperature control
- > 50,000 hour rated LED life (supported by LM80 and ISTMT reports (see website))
- > 5 Year Limited Warranty - see website for details
- > UL1598C retains fixture UL Listing

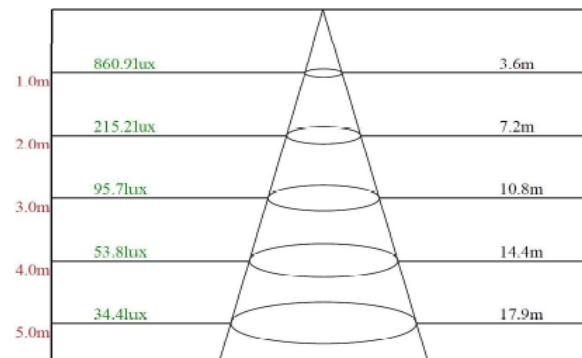


## Technical Specifications

Models US/CAN	LED-8055M27	LED-8055M42	LED-8055M57	LED-8055M27C	LED-8055M42C	LED-8055M57C
CCT	2700K	4200K	5700K	2700K	4200K	5700K
Power Consumption	30 watts					
Replaces	100w MH/HPS					
Mounting	E39					
Voltage	120-277VAC (USA)			120-347VAC (Canada Only)		
LED Type	24 Hongli SMD LED's					
Beam Angle	120°					
Dimmable	No					
Operating Temp	-40°F - +122°F					
Rated R70 Life	>50,000 Hrs.					
Warranty	5 Year Limited*					
LM79 Specifications	Yes	Yes	Yes	Yes	Yes	Yes
Power (W)	30.2	32.3	32.2	30.2	32.3	32.2
CCT	2783	4105	5958	2783	4105	5958
Lumen Output	2537	2842	2886	2537	2842	2886
Efficacy	83	88	89	83	88	89
THD @ 277V	13.4%	13.4%	10.9%	13.4%	13.4%	10.9%
PF @ 277V	0.9	0.911	0.918	0.9	0.911	0.918
CRI:	82.2	88	88.3	82.2	88	88.3
R9	9	29	37	9	29	37
Duv	-0.0012	0.00127	-0.001	-0.0012	0.00127	-0.001
Test Data Source	LCTECH IES LM79-08 NVLAP 5000080-0					
Packaging	4 / Master Carton					
Unit	6.93" x 6.93" x 8.46" 1.80 lbs.					
Master	13.5" x 13.5" x 9.1" 8.0 lbs.					



## Lux Distance Curve

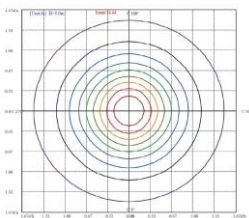


## Installation Notes:

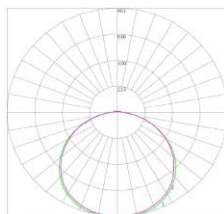
- Ballast must be bypassed
- Installing surge/lightning protectors is highly recommended

LED Power Consumption (Watts)	HID Power Consumption (Watts)	HID Ballast Power Consumption (Watts)	Total Savings (Watts)	Annual Energy Savings (14 hrs/day)	Lifetime Energy Savings (over 50,000 hrs)
30	100	15	85	\$48	\$468

## ISO Illuminance Diagram



## Polar Curves



Mounting Orientation			Minimum Fixture Size Requirements (inches)	
Base Up	Base Down	Horiz	Length	Width
			8.93	6.72
Approved	Approved	Approved	6.72	403.3
			Cu. Inches	403.3



188 S. Northwest Highway • Cary, IL 60013

(847) 380-3540 • FAX: (847) 380-3542

www.led-llc.com