

LED-8046M-A 65W LED for HID Retrofit for Post Top / Area

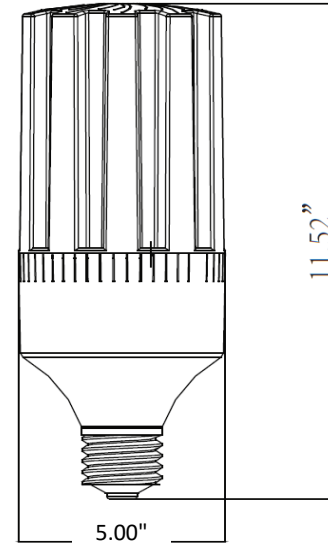


Models

LED-8046MXX-A, 120-277VAC, cULus, 3000K, 4000K or 5700K CCT, E39
 LED-8046MXXC-A, 347VAC, cUL, 3000K, 4000K or 5700K CCT, E39

Features

- > 65W LED Replaces 250W MH or HPS HID Lamps
- > UL approved for damp environments and enclosed fixtures
- > Advanced active cooling: Active cooling and dynamic temperature control
- > 50,000 hour rated LED life (supported by LM80 and ISTMT reports (see website))
- > 5 Year Limited Warranty - see website for details
- > UL1598C retains fixture UL Listing
- > Rated for enclosed fixture



Technical Specifications

Models US/CAN	LED-8046M30-A		LED-8046M40-A		LED-8046M57-A		LED-8046M30C-A		LED-8046M40C-A		LED-8046M57C-A	
	USA						Canada					
CCT	3000K	4000K	5700K	3000K	4000K	5700K	3000K	4000K	5700K	3000K	4000K	5700K
Power Consumption	65 watts											
Replaces	250 MH/HPS											
Mounting	E39											
Voltage	120-277VAC						347VAC					
LED Type	2835											
Beam Angle	360°											
Dimmable	NO											
Operating Temp	-40°F - +122°F											
Rated R70 Life	Up to 50,000 Hrs.											
Warranty	5 Year Limited*											
LM79 Specifications	No	No	No	No	No	No	No	No	No	No	No	No
Power (W)	67.21	67.8	67.8	67.21	67.8	67.8	67.21	67.8	67.8	67.21	67.8	67.8
CCT	3094	4000	5700	3094	4000	5700	3094	4000	5700	3094	4000	5700
Light Output	7475	8125	8125	7475	8125	8125	7475	8125	8125	7475	8125	8125
Efficacy	111	83	120	111	83	120	111	83	120	111	83	120
THD @ 277V	<20%	<20%	<20%	<20%	<20%	<20%	<20%	<20%	<20%	<20%	<20%	<20%
PF @ 277V	>90	>90	>90	>90	>90	>90	>90	>90	>90	>90	>90	>90
CRI:	82.2	82.2	84	82.2	82.2	84	82.2	82.2	84	82.2	82.2	84
R9	n/a	n/a	n/a	n/a	n/a	n/a	n/a	n/a	n/a	n/a	n/a	n/a
Duv	n/a	n/a	n/a	n/a	n/a	n/a	n/a	n/a	n/a	n/a	n/a	n/a
Packaging	6/ Master Carton											
Unit	11.22" X 3.98"											
Master	17.1" X 11.6" X 13.4"											

	MODEL	DLC CODE
	LED-8046M30-A	PRK2SJ32
	LED-8046M40-A	PE6E5ZJW
	LED-8046M57-A	PR8541K7

Approved Categories:
 Replacement Lamps for Outdoor Pole/Arm-mounted Decorative Luminaires (Type B)

Installation Notes:

- Ballast must be bypassed
- Installing surge/lightning protectors is highly recommended

LED Power Consumption (Watts)	HID Power Consumption (Watts)	HID Ballast Power Consumption (Watts)	Total Savings (Watts)	Annual Energy Savings (14 hrs/day)	Lifetime Energy Savings (over 50,000 hrs)
65	250	40	225	\$126	\$1,238

Mounting Orientation			Minimum Fixture Size Requirements (inches)	
Base Up	Base Down	Horiz	Length	Width
			13	7
Approved	Approved	Approved	Height	7
			Cu. Inches	637.0



188 S. Northwest Highway • Cary, IL 60013
 (847) 380-3540 • FAX: (847) 380-3542
 www.led-llc.com

