

LED-8045M 50W LED for HID Retrofit for Recessed/ Flood



Models

LED-8045MXX, 120-277VAC, cULus, 2700K, 4000K or 5000K CCT, E39
 LED-8055MXXC, 120-347VAC, cUL, 2700K, 4000K or 5000K CCT, E39

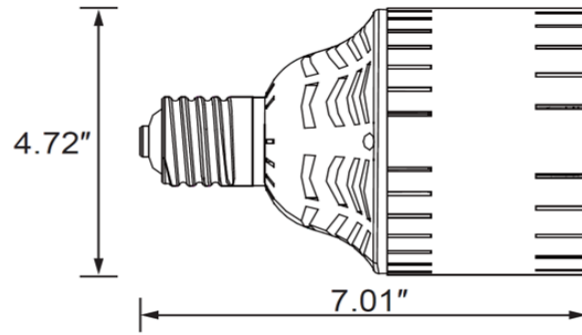
Features

- > 50W LED Replaces 175W MH or HPS HID Lamps
- > UL approved for damp environments and enclosed fixtures
- > Advanced active cooling: Active cooling and dynamic temperature control
- > 50,000 hour rated LED life (supported by LM80 and ISTMT reports (see website))
- > 5 Year Limited Warranty - see website for details
- > UL1598C retains fixture UL Listing
- > Rated for enclosed fixture

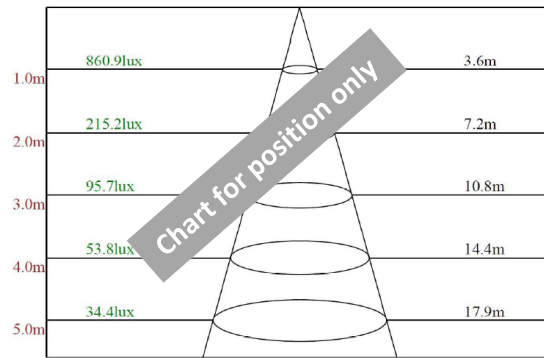


Technical Specifications

Models US/CAN	LED-8045M27	LED-8045M42	LED-8045M50	LED-8045M27C	LED-8045M42C	LED-8045M50C
CCT	2700K	4200K	5000K	2700K	4200K	5000K
Power Consumption	50 watts					
Replaces	175w MH/HPS					
Mounting	E39					
Voltage	120-277VAC (USA)			120-347VAC (Canada Only)		
LED Type	24 Hongli SMD LED's					
Beam Angle	45°					
Dimmable	No					
Operating Temp	-40°F - +122°F					
Rated R70 Life	>50,000 Hrs.					
Warranty	5 Year Limited*					
LM79 Specifications	Yes	Yes	Yes	Yes	Yes	Yes
Power (W)	52.1	51.1	52.69	52.1	51.1	52.69
CCT	2737	4024	5132	2737	4024	5132
Lumen Output	4508	4677	4684	4508	4677	4684
Efficacy	85	90	88	85	90	88
THD @ 277V	11.90%	10.46%	10.44%	11.90%	10.46%	10.44%
PF @ 277V	0.945	0.941	0.949	0.945	0.941	0.949
CRI:	82.4	82.5	83.9	82.4	82.5	83.9
R9	7	12	20	7	17	20
Duv	-0.0011	-0.0004	0.0002	-0.0011	-0.0004	-0.0002
Test Data Source	LCTECH IES LM79-08 NVLAP 5000080-0					
Packaging	4 / Master Carton					
Unit	6.1" x 6.1" x 8.46" 1.80 lbs.					
Master	12.8" x 12.8" x 9.1" 8.0 lbs.					



Lux Distance Curve



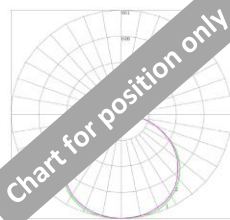
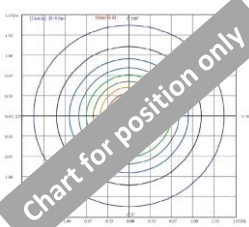
Installation notes:

- Ballast must be bypassed
- Installing surge/lightning protectors is highly recommended

LED Power Consumption (Watts)	HID Power Consumption (Watts)	HID Ballast Power Consumption (Watts)	Total Savings (Watts)	Annual Energy Savings (14 hrs/day)	Lifetime Energy Savings (over 50,000 hrs)
50	175	15	140	\$79	\$770

ISO Illuminance Diagram

Polar Curves



Mounting Orientation			Minimum Fixture Size Requirements (inches)	
Base Up	Base Down	Horiz	Length	Width
			9.01	6.72
Approved	Approved	Approved	6.72	406.9
			Cu. Inches	406.9



188 S. Northwest Highway • Cary, IL 60013
 (847) 380-3540 • FAX: (847) 380-3542

www.led-llc.com