

LED-8024E 45W LED for HID Retrofit for Post Top / Area

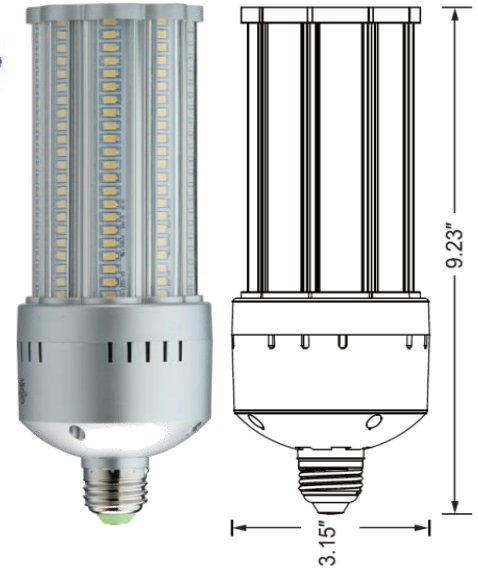


Models

LED-8024EXX, 120-277VAC, cULus, 3000K, 4200K or 5700K CCT, E26
 LED-8024EXXC, 347VAC, cUL, 3000K, 4200K or 5700K CCT, E26

Features

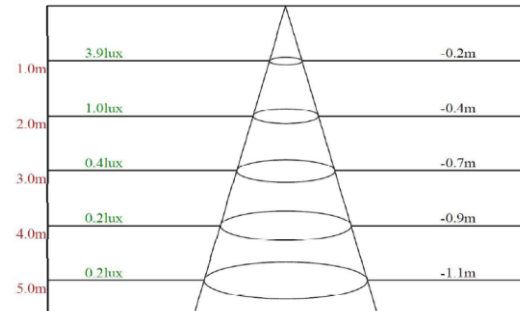
- > 45W LED Replaces 175W MH or HPS HID Lamps
- > UL approved for damp environments and enclosed fixtures
- > Advanced active cooling: Active cooling and dynamic temperature control
- > 50,000 hour rated LED life (supported by LM80 and ISTMT reports (see website))
- > 5 Year Limited Warranty - see website for details
- > Integrated insect/dust screen
- > Rated for enclosed fixture



Technical Specifications

Models US/CAN	LED-8024E30			LED-8024E42C		
	LED-8024E30	LED-8024E42	LED-8024E57	LED-8024E30C	LED-8024E42C	LED-8024E57C
	US			Canada		
CCT	3000K	4200K	5700K	3000K	4200K	5700K
Power Consumption	45 watts					
Replaces	175 MH/HPS					
Mounting	E26					
Voltage	120-277VAC			347VAC		
LED Type	176 Samsung #5630 SMD					
Beam Angle	360°					
Dimmable	NO					
Operating Temp	-40°F - +122°F					
Rated R70 Life	Up to 50,000 Hrs.					
Warranty	5 Year Limited*					

Lux Distance Curve



Installation Notes:

- Ballast must be bypassed
- Installing surge/lightning protectors is highly recommended

LED Power Consumption (Watts)	HID Power Consumption (Watts)	HID Ballast Power Consumption (Watts)	Total Savings (Watts)	Annual Energy Savings (14 hrs/day)	Lifetime Energy Savings (over 50,000 hrs)
45	175	35	165	\$93	\$908

LM79 Specifications	Yes	Yes	Yes	Yes	Yes	Yes
Power (W)	45.21	44.43	46.01	45.21	44.43	46.01
CCT	3005	3972	5453	3005	3972	5453
Light Output	5345	5576	5804	5345	5576	5804
Efficacy	118.25	125.52	125.91	118.25	125.52	125.91
THD @ 277V	9.79%	9.23%	9.03%	9.79%	9.23%	9.03%
PF @ 277V	0.933	0.924	0.935	0.933	0.924	0.935
CRI:	82.7	84.3	85.6	82.7	84.3	85.6
R9	9	17	25	9	17	25
Duv	-0.0015	0.000	0.000	-0.0015	0.000	0.000

Mounting Orientation			Minimum Fixture Size Requirements (inches)
Base Up	Base Down	Horiz	
			Length: 11.41
			Width: 5.15
			Height: 5.15
			Cu. Inches: 302.6
Approved	Approved	Approved	



188 S. Northwest Highway • Cary, IL 60013
 (847) 380-3540 • FAX: (847) 380-3542
 www.led-llc.com

