

# 100W LED Low-High Bay with Visual Comfort Reflector

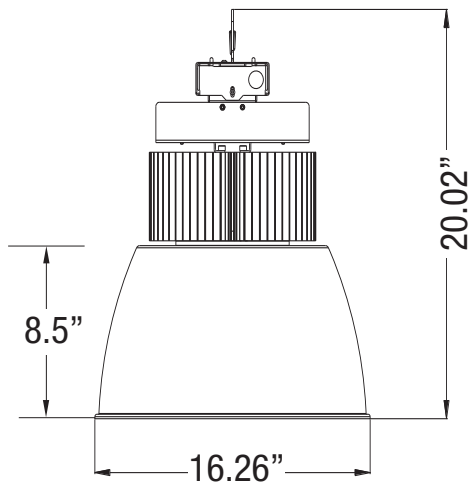
**Replace your old 200-250 Watt HPS/MH fixtures and SAVE on ENERGY and SERVICE costs**

## Features:

- Lumens: 14,825 lm
- Wattage: 115.92 w
- CCT: 5,144K
- 120-277 volt
- Power Supply: IP-65, non-isolated
- Beam angle: 75°
- 0-10V Dimming
- Warranty 5 yrs. – 50,000 hrs
- Visual Comfort Reflector
- Net Weight: 11.9 lbs.

## Payback Benefits:

- DLC Approved – Premium Energy Rebates may be Available
- 2 years or less R.O.I. in many cases



**Lighting**  
Plastics  
**Solutions**

RETROFIT SPECIALISTS

Toll Free 800-587-3310  
sales@mylpsolutions.com  
www.mylpsolutions.com

Tampa Orlando Atlanta Philadelphia