

LED-8039E-A 18W LED for HID Retrofit for Post Top / Area



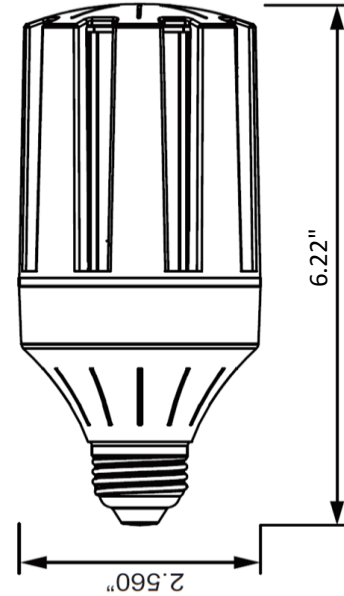
Models

LED-8039EXX-A, 120-277VAC, cULus, 3000K, 4000K or 5700K CCT, E26

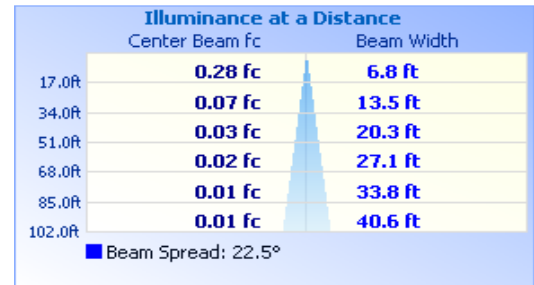
LED-8039EXXC-A, 347VAC, cUL, 3000K, 4000K or 5700K CCT, E26

Features

- > 18W LED Replaces 70W MH or HPS HID Lamps
- > UL approved for enclosed fixtures & damp environments
- > Advanced temperature control keeps lamp cool in harsher environments
- > 50,000 hour rated LED life (supported by LM80 and ISTMT reports (see website))
- > 5 Year Limited Warranty - see website for details
- > Rated for enclosed fixture



ILLUMINANCE PLOTS



Installation Notes:

- Ballast must be bypassed
- Installing surge/lightning protectors is highly recommended

Technical Specifications						
Models US/CAN	LED-8039E30-A	LED-8039E40-A	LED-8039E57-A	LED-8039E30C-A	LED-8039E40C-A	LED-8039E57C-A
	USA			CAN		
CCT	3000K	4000K	5700K	3000K	4000K	5700K
Power Consumption	18 watts					
Replaces	70 MH/HPS					
Mounting	E26					
Voltage	120-277VAC			347VAC		
LED Type	2835					
Beam Angle	360°					
Dimmable	No					
Operating Temp	-40°F - +122°F					
Rated R70 Life	Up to 50,000 Hrs.					
Warranty	5 Year Limited*					
LM79 Specifications	Yes	Yes	Yes	Yes	Yes	Yes
Power (W)	18.23	17.98	18.04	17.76	17.37	17.93
CCT	2958	4087	5552	2953	4068	5617
Light Output	2055	2297	2243	2043	2166	2242
Efficacy	112.73	127.753	124.75	115	124.698	125.042
THD @ 277V	11.80%	11.26%	11.72%	14.44%	14.54%	14.38%
PF @ 277V	98	98	98	97	97	97
CRI:	82.4	84.7	85.1	82.3	84.5	85.3
R9	7	19	15	7	15	16
Duv	0	-0.0002	0.0021	-0.0002	-0.0001	0.0016
Packaging	9/ Master Carton					
Unit	4.3"x 4.3"x 7.9" .8 lbs.					
Master	13.8"x 13.8" x 8.46" 8.1 lbs.					

LED Power Consumption (Watts)	HID Power Consumption (Watts)	HID Ballast Power Consumption (Watts)	Total Savings (Watts)	Annual Energy Savings (14 hrs/day)	Lifetime Energy Savings (over 50,000 hrs)
18	70	14	66	\$37	\$363

Mounting Orientation			Minimum Fixture Size Requirements (inches)	
Base Up	Base Down	Horiz	Length	Width
			8.5	4.5
Approved	Approved	Approved	Height	4.5
			Cu. Inches	172.1



188 S. Northwest Highway • Cary, IL 60013
 (847) 380-3540 • FAX: (847) 380-3542
 www.led-llc.com

