

# ELHT Shielding Kit for EL Troffers

## 2x2, 2x4



ELHT 2x4

### Elegant Design

The ELHT provides the look and feel of a deep EL luminaire — subtle soft indirect elements, interest and depth across the ceiling plane — with a kit that consumes minimal space and material.

### Efficient Solution

The contoured panels of the unit are high transmission acrylic that provide a low-brightness glow, with the majority of the light controlled through the center optical element.

### Ordering Information

Example: ELHT22-CL

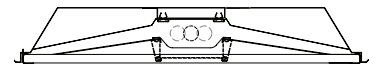
Series	Size	Finish
ELHT	22 - 2x2 24 - 2x4	CL - High transmission clear overlay

### Application

For use with standard Steel Craft EL housing.

### Ordering Information

Please call 877-257-5841 for price and delivery.



## ELHT

2x2, 2x4

### Specifications

#### Door Frame

Features positive latching mechanism for easy re-lamping.

#### Direct Optical Component

High reflectance optical engine delivers main beam focus through the revolutionary Dur-iFlex™ HT diffusing panel. With 93% transmission and 89% haze, the result is extraordinary control and efficiency.

#### Diffuser Surround:

(2) Sloping high transmission acrylic diffuser panels manage contrast and generate soft, even, higher angle luminance.

#### Reflector

High reflectance white reflector distributes light through both optical elements. Optional WhiteOptics™ reflector available.

#### Luminaire Type

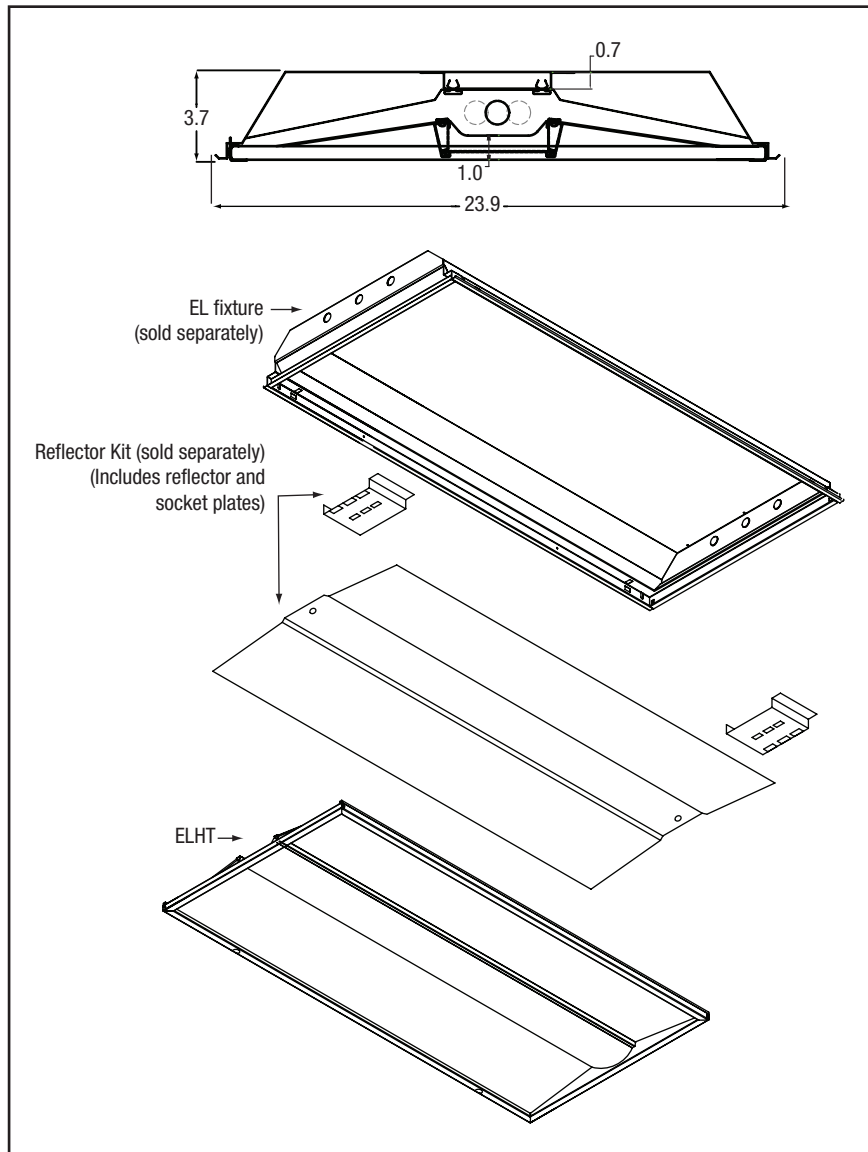
Fits standard Steel Craft EL fixture body. 2X2' and 2X4'.

#### Lamps

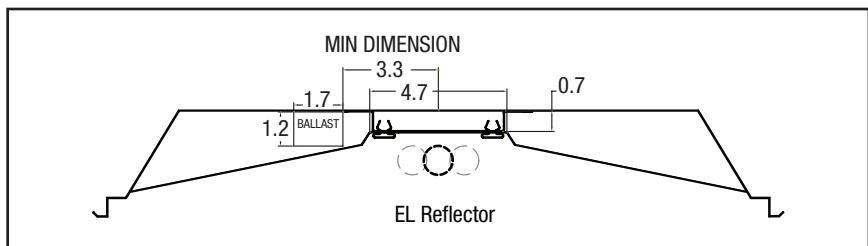
1 or 2-lamp T8 or T5 fluorescent reflector kits available.

# ELHT Shielding Kit for EL Troffers

2x2, 2x4



Reflector Kits	
RK124MW	REF. KIT COMBO 1L & 2L , 4FT T8/T5, MW
RK124WO	REF. KIT COMBO 1L & 2L , 4FT T8/T5, WO
RK124MWIWO	REF. KIT COMBO 1L & 2L , 4FT T8/T5, MW REFL. WO INSERT
RK124WOVWO	REF. KIT COMBO 1L & 2L , 4FT T8/T5, WO REFL. WO INSERT
RK122MW	REF. KIT COMBO 1L & 2L , 2FT T8/T5, MW
RK122WO	REF. KIT COMBO 1L & 2L , 2FT T8/T5, WO
RK122MWIWO	REF. KIT COMBO 1L & 2L , 2FT T8/T5, MW REFL. WO INSERT
RK122WOVWO	REF. KIT COMBO 1L & 2L , 2FT T8/T5, WO REFL. WO INSERT



## Notice

A.L.P. Lighting Components, Inc., assumes no responsibility for suitability of these materials in any luminaire or application. Please test for fit and function prior to ordering project quantities.



**A.L.P.**  
LIGHTING COMPONENTS, INC.

6333 Gross Point Road • Niles, IL 60714 USA  
773-774-9550 Tel. • 773-774-9331 Fax • Direct  
877-257-5841 Tel. • 800-438-2500 Fax • Toll Free  
[www.alighting.com](http://www.alighting.com)