

# EFP 160GS

## Emergency Fluorescent Power Pack



## EFP 160GS

Emergency Fluorescent  
Power Pack

### Specifications

#### Housing

Painted red steel housing  
with 2' conduit on one end.

#### Lamps

Compatible with 1-lamp, 2-lamp,  
3-lamp and 4-lamp fixtures with  
many ballast types including  
standard, rapid-start, slimline,  
instant-start, dimming and  
electronic AC ballasts.

### General Description

EFP 160GS works in conjunction with an AC ballast to convert new or existing fluorescent fixtures into unobtrusive emergency lighting. They maintain illumination of one lamp in the emergency mode for a minimum of 90 minutes.

### Features and Benefits

- Provides a minimum of 90 minutes of emergency illumination
- Can be installed inside, on top of the fixture or remotely mounted
- Can be used in both switched and unswitched fixtures
- Specification grade

### Approvals and Listings

- UL 924 listed for damp location
- UL listed for retrofit/field installation
- Life safety NFPA 101
- NEC/OSHA
- Meets most state and local codes

### Electrical

- Dual voltage input 120V/277 VAC, 60Hz
- Solid-state charger circuit
- Test switch/power indicator light (optional remote test switch plate available)
- Temperature rating (ambient): 0°C to 50°C [32°F to 122°F]
- Maintenance-free, long life, sealed Nickel Cadmium battery
- Maximum battery recharge time: 24 hours

### Warranty

All lighting emergency ballasts are warranted for a full five (5) years against defects in material and workmanship (lamps excluded).

### Note

Conditions apply for remote mounting.  
Consult factory.

### Ordering Information

Please call 877-257-5841 for price and delivery.



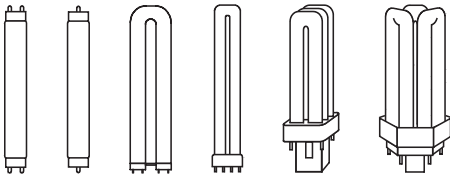
**A.L.P.**  
LIGHTING COMPONENTS, INC.

# EFP 160GS

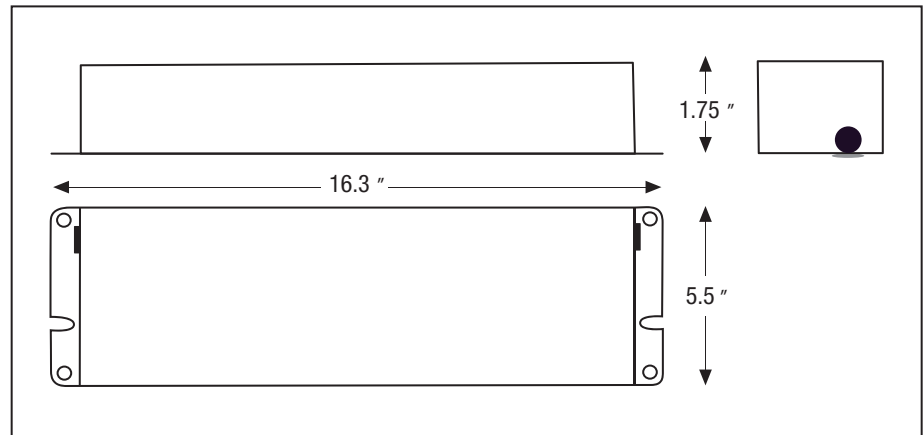
## Emergency Fluorescent Power Pack

### Lamps

Compatible with 1-lamp, 2-lamp, 3-lamp and 4-lamp fixtures with many ballast types including standard, rapid-start, slimline, instant-start, dimming and electronic AC ballasts.



### Product Dimensions



Ballast Model No.		No. of Lamps Operated	EFP 160GS	
Lumen Output		1 Lamp : One Lamp 2 Lamp : One or Two Lamp	<b>3000</b>	
Linear Fluorescent Lamps	T5	1 Lamp	-	
		2 Lamp	-	
	T5HO	1 Lamp	-	
		2 Lamp	-	
	T8	1 Lamp	40-215	
		2 Lamp	17-40	
	T10	1 Lamp	-	
		2 Lamp	17-40	
	T12	1 Lamp	40-215	
		2 Lamp	17-40	
Compact Fluorescent Lamps	4-Pin CFL	1 Lamp	-	
		2 Lamp	13-42	
	4-Pin Long CFL	1 Lamp	40-55	
		2 Lamp	18-40	
	2-Pin CFL	1 Lamp	-	
Special Fluorescent Lamps	T9 Circline CFL	1 Lamp	-	
		2 Lamp	20-40	
	U-Bend	T8	1 Lamp	-
			2 Lamp	32, 40
		T12	1 Lamp	-
			2 Lamp	34, 40

\* Contact customer service for other lamp applications.