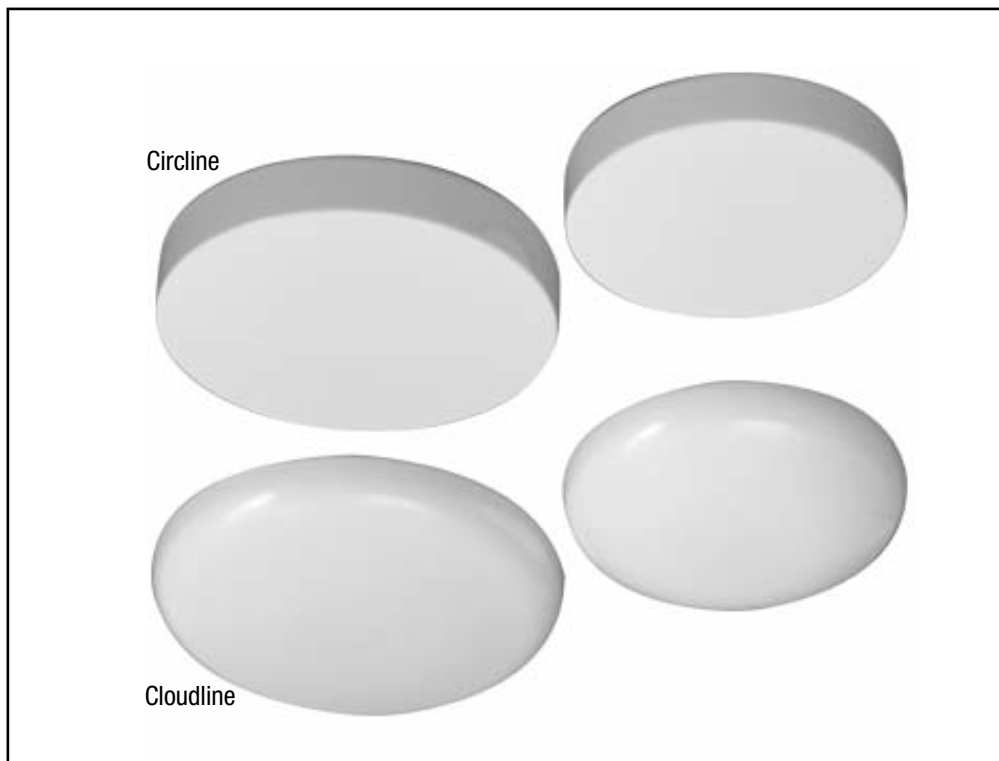
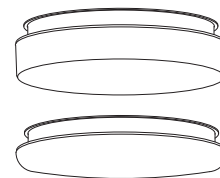


MOLDED CIRCLINE & CLOUDLITE

Series I65



Series I65



Series I65

11" DIAMETER
13-3/4" DIAMETER
19" DIAMETER

METAL HOUSINGS AVAILABLE

DECORATIVE DIFFUSERS FOR
COMMERCIAL AND RESIDENTIAL
APPLICATIONS

STANDARD MATERIALS:
WHITE ACRYLIC
AND WHITE POLYCARBONATE

PLEASE INQUIRE FOR
FURTHER MATERIALS OPTIONS

Description

The Circline and Cloudlite Series I65 Diffusers are specially designed for the growing market utilizing energy-saving lamps.

Application

Used in bathroom, residential and retail applications. A sleek, simple solution for restrooms, bathrooms, corridors or hallways. The Circline and Cloudlite series brings an updated look to residential and high-end commercial applications.

Lamp Data

The Series I65 designs are capable of being used with circular, u-shaped or compact fluorescent lamps.

Ordering Information

Please call 877-257-5841 for price and delivery. Specify opening size when placing an order. Typical lead time is four to six weeks.

Notice

A.L.P. Lighting Components assumes no responsibility for suitability of luminaires and applications. The use of diffusers at temperatures near or above 80°C for acrylic and 90°C for polycarbonate, with high ultraviolet output light sources will cause degradation of the material.

Series I65

Accessory

Metal Housing

24 gauge steel, painted white for mounting.

Circline Clip

For mounting.

Series I65 Circline/Cloudlite

Size	Trim Size	Opening	Height
11"	9-7/8"	9-1/4"	2-3/4"
13-3/4"	12-5/8"	12"	3"
19"	16-7/8"	16-1/6"	3-3/4"

Metal Housings

Size	Type	Screw Holes	Height
10"	STD	8/32 (3)	7/8"
10"	PL	8/32 (3)	7/8"
12-3/4"	STD	8/32 (3)	7/8"
12-3/4"	PL	8/32 (3)	7/8"
12-3/4"	PLT	8/32 (3)	7/8"
17"	STD	8/32 (3)	7/8"

Materials

The following materials are used in the production of sheet, profiles, formed and molded parts by A.L.P. Plastics. Please be aware that A.L.P. Plastics does not provide material certifications unless requested by the customer prior to quoting. Our standard manufacturing practice includes the use of reclaimed materials exceeding 25%.

White acrylic: Pigment: Ferco CP51 based material 3-5% max. with any of the following acrylic materials.

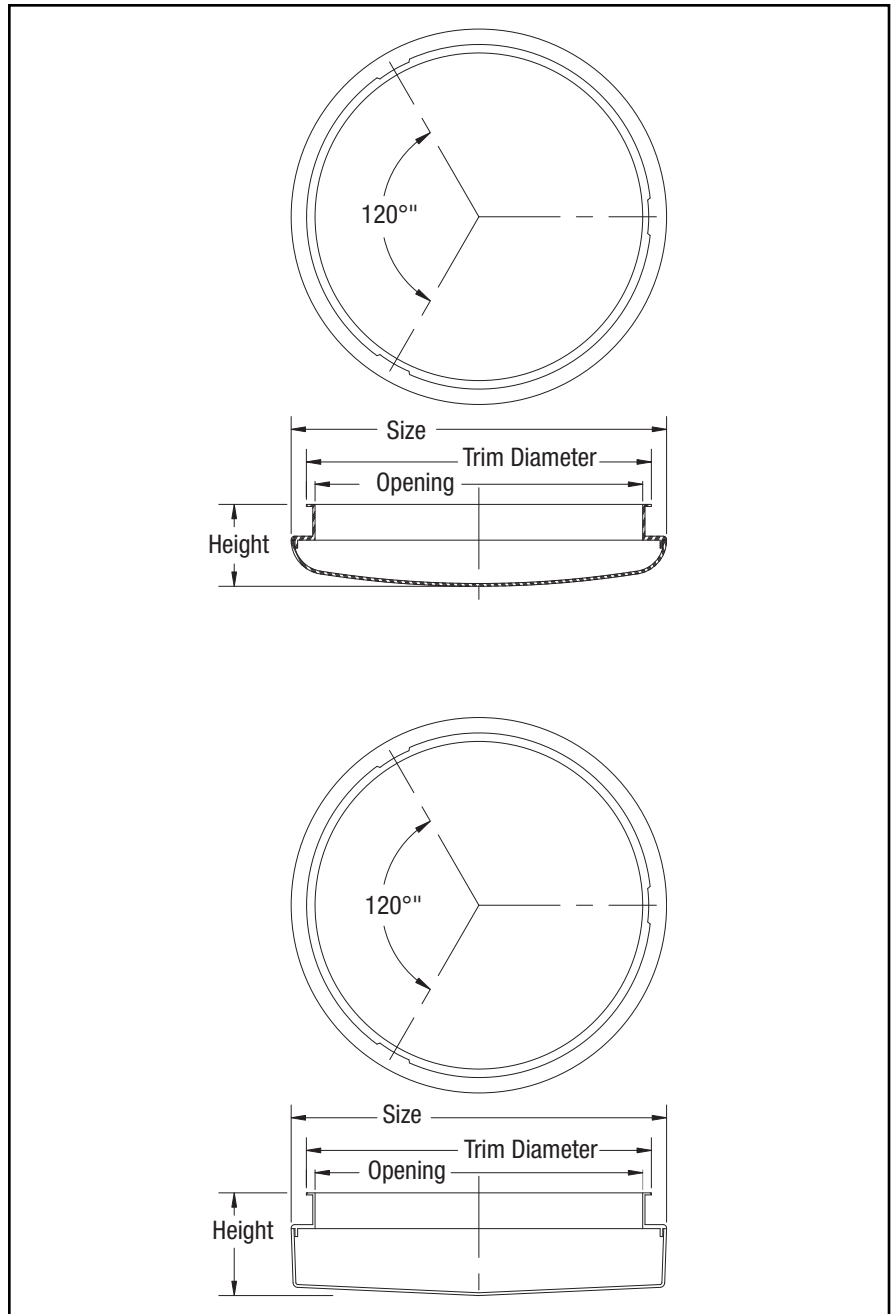
Fluorescent Grade Acrylic:

Altuglas Intl. - UL file #E39437,
Materials: V-045, V-825 and V-052.
Lucite International - UL file #E65769,
Materials: CP-81, MS-983.
Cyro Industries - UL file #E54671,
Materials: H-12 and H-15.
Plaskolite West Inc. - UL file #E167330,
Material: CA-81.

Polycarbonate:

General Electric Co. - UL file #E121562,
Material: Lexan ML-7135, 223 and 243.
General Electric Co. - UL file #E61257,
Material: Lexan 9034 (Sheet).
Bayer Corp. - Plastics - UL file #E33640,
Materials: Makrolon 1804 and HF1130.
Mitsubishi - UL file #E41179 lupolon E2000V.

Please visit our web site for the most current material specifications.



This drawing is for reference only. Actual part dimensions will vary. Customer is urged to review actual samples to confirm fit and function. All specifications and dimensions are subject to change without notice.