

PRISMATIC REFLEXOR®

Model 822 Interface® Reflexor®



Model 822 Interface

Description

This 22" diameter Interface® Reflexor® is a technology-based, injection molded component manufactured from microcellular foamed acrylic. For optimal product life and performance, this product is produced from UV stabilized, lighting grade acrylic. The Interface Reflexor provides specifically tailored uplight and downlight levels, and achieves 89.5% overall luminaire efficiency. The uplight component of the Reflexor is minimal at 17% or lower, using just the right amount of uplight to eliminate the cave effect. The interface Reflexor is also available in 12" and 16" diameters.

Application

The Interface Reflexor features a highly reflective surface, which produces a soft, glowing appearance and blends with light colored ceilings. It is suitable for a range of lighting applications from industrial to retail.

Lamp Data

The Interface Reflexor is capable of being used with up to 400 watt HID lamps. Please reference the LexaLite® Reflexor Standard HID Acrylic Application Recommendations for ambient temperature guidelines. Luminaire

design, reflector configuration, lamp position, and ambient temperature will affect the inside surface temperature. Thermal tests should be conducted on each luminaire design to confirm appropriate lamp size for the application.

Ordering Information

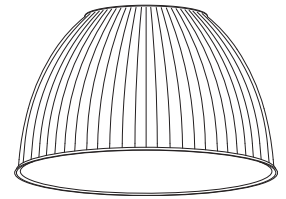
Please call 877-257-5841 for price and delivery. Typical lead time is four to six weeks.

Service Life

The service life of an acrylic Reflexor is virtually unlimited when used within the recommended temperature limit. The Model 822i molded in acrylic material will provide satisfactory service for a period of five years.

Notice

A.L.P. Lighting Components, Inc. assumes no responsibility for suitability of luminaires and applications. The use of our molded products at excessive temperatures with high UV output light sources will cause degradation of the material. Information regarding the use of lenses and refractors with Metal Halide lamps can be found in the Products/Technical Resources section of our web site at www.alplighting.com.



Model 822i

13.40" high
22" diameter

PRISMATIC REFLEXOR
OPEN OR CLOSED LUMINAIRE
COMMERCIAL, INSTITUTIONAL,
DECORATIVE APPLICATIONS

Efficiency: 89.5%
Uplight: 17.3%
CIE type: Semi-Direct
Luminaire spacing Criteria: 1.7

Material: Interface 105 acrylic

U.S. Patent No. 6,550,938

800 Series Products:

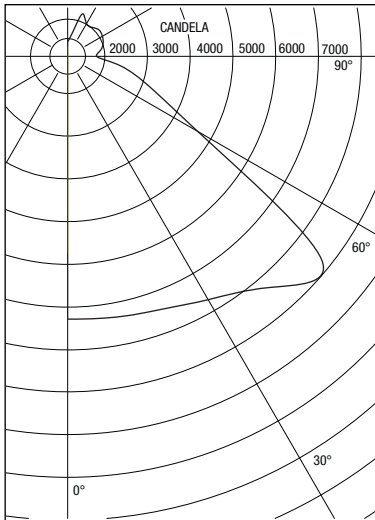
- 9" Model 809
- 11" Model 811
- 12" Model 812
- 12" Model 812i interface
- 12" Model 812 Designer
- 16" Model 816
- 16" Model 816U lightweight
- 16" Model 816i interface
- 16" Model 16CDL Conical Drop Lens
- 22" Model 822
- 22" Model 822GV lightweight
- 22" Model 822i interface
- 22" Model 22CDL Conical Drop Lens
- 22" Model 22SCDL Silicone Conical Drop Lens
- 25" Model 825
- 25" Models 825A & 825M Prismatic Lenses



A.L.P.
LIGHTING COMPONENTS, INC.
WEB SITE: WWW.ALPLIGHTING.COM

LEXALITE

Model 822i



Photometrics

The unique design of the 822 Interface Reflexor® permits a broad range of lighting distributions to be achieved efficiently. A 400 watt ED-37 clear metal halide lamp at 7.25 inch light center position gives spacing criteria of 1.7, overall efficiency of 89.5% and 17.3% uplight of the luminaire (ITL51087).

Lumen Summary

Zone	Lumens	%Lamp	%Fixture
0-30	5426	15.1	16.8
0-40	9777	27.2	30.3
0-60	21264	59.1	66.0
0-90	26651	74.0	82.7
90-120	2632	7.3	8.2
90-130	3504	9.7	10.9
90-150	4794	13.3	14.9
90-180	5578	15.5	17.3
0-180	32229	89.5	100.0

Luminance Data

in Candela/SQ M at 0° plane

Angle	Average
45°	33715
55°	29038
65°	12948
75°	8426
85°	5280

Report Number: ITL51087
 Total Luminaire Efficiency: 89.5%
 CIE Type: Semi-Direct
 Luminaire Spacing Criteria: 1.7

Tested in accordance with IES standards. Lamp is a 400 watt ED-37 clear metal halide. Lumen rating = 36,000. Lamp center located at 7.25 inches above lower rim.

Accessories

Conical Drop Lens (22CDL):

22" diameter acrylic or polycarbonate lens.

Prismatic Drop Lens (Model 622):

22" diameter acrylic or polycarbonate lens.

Smooth Flat Lens (822SFL):

22" diameter acrylic or polycarbonate lens.

New! Silicone Conical Drop Lens (22SCDL)

Smooth Collar

For a variety of mounting methods.

Projector Reflector Collar

Aluminum inner collar for increased downlight.

Stainless Steel Clamp Band

For attachment of bottom closure.

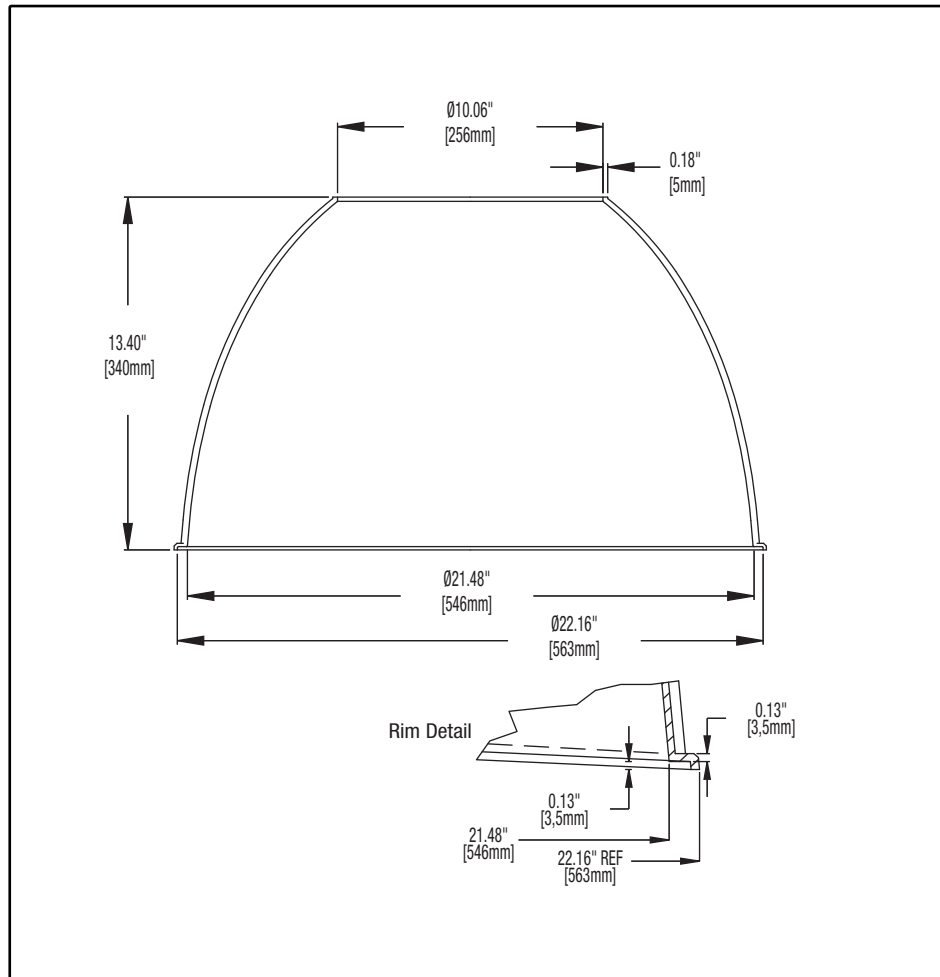
Wire Guard

Provides lamp protection, attaches to Model 822 with clamp band.

Materials

See the LexaLite® brand price list for current part numbers and material offerings. Up-to-date and detailed material specifications can be found in the Products/Technical Resources section of our web site at www.alplighting.com.

When using an acrylic Model 822i, the surface temperature of the Reflexor should not exceed 80°C.



This drawing is for reference only. Actual part dimensions will vary. Customer is urged to review actual samples to confirm fit and function. All specifications and dimensions are subject to change without notice.