

# PRISMATIC REFLEXOR®

Model 822GV



Model 822GV

## Description

This energy efficient 22" diameter prismatic Reflexor® has been designed as a lighter weight version of the Model 822 Reflexor. It is designed to be used in either open or closed luminaires for industrial, commercial and decorative lighting.

## Application

This Reflexor is particularly suited for low and medium bay industrial applications where low brightness and high vertical illumination is required. Light colored ceilings utilize its inherent uplight component, reducing contrast and improving uniformity.

## Lamp Data

As an open luminaire, the Model 822GV is designed to be used with 400 watt HID lamps. For best uniformity, we recommend using coated metal halide lamps or diffuse high pressure sodium lamps. Please reference LexaLite's Reflexor Standard HID Acrylic Application Recommendations for ambient temperature guidelines. Luminaire design, reflector configuration, lamp position, and ambient temperature will affect the inside surface temperature. Thermal tests should be conducted on each luminaire design to confirm appropriate lamp size for the application.

## Ordering Information

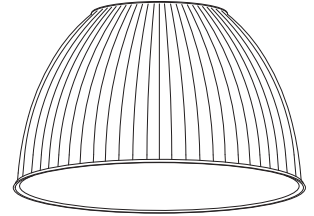
Please call 877-257-5841 for price and delivery. Typical lead time is four to six weeks.

## Service Life

The service life of an acrylic Reflexor is virtually unlimited when used within the recommended temperature limit. Acrylic molded versions of our Prismatic Reflexor series are covered by our 10 year limited warranty.

## Notice

A.L.P. Lighting Components, Inc. assumes no responsibility for suitability of luminaires and applications. The use of our molded products at excessive temperatures with high UV output light sources will cause degradation of the material. Information regarding the use of lenses and refractors with Metal Halide lamps can be found in the Products/Technical Resources section of our web site at [www.alplighting.com](http://www.alplighting.com).



## Model 822GV

13.40" high  
22" diameter

PRISMATIC REFLEXOR  
OPEN OR CLOSED LUMINAIRE  
COMMERCIAL, INSTITUTIONAL,  
DECORATIVE APPLICATIONS

Efficiency: 92.7%  
Uplight: 20.4%  
CIE type: Semi-Direct  
Luminaire spacing Criteria: 1.6

Material: Acrylic

800 Series Products:

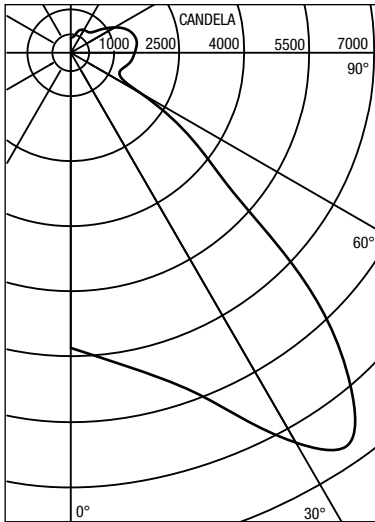
9" Model 809  
11" Model 811  
12" Model 812  
12" Model 812i interface  
12" Model 812 Designer  
16" Model 816  
16" Model 816U lightweight  
16" Model 816i interface  
16" Model 16CDL Conical Drop Lens  
22" Model 822  
22" Model 822GV lightweight  
22" Model 822i interface  
22" Model 22CDL Conical Drop Lens  
22" Model 22SCDL Silicone Conical Drop Lens  
25" Model 825  
25" Models 825A & 825M Prismatic Lenses



**A.L.P.**  
LIGHTING COMPONENTS, INC.  
WEB SITE: [WWW.ALPLIGHTING.COM](http://WWW.ALPLIGHTING.COM)

 **LEXALITE**

# Model 822GV



Report Number: ITL53357  
 Total Luminaire Efficiency: 92.7%  
 CIE Type: Semi-Direct  
 Luminaire Spacing Criterion: 1.6

## Photometrics:

The unique design of the Model 822GV permits a broad range of lighting distributions to be achieved efficiently. A 400 watt phosphor coated metal halide lamp at 8.75 inch light center position gives spacing criteria of 1.6, overall efficiency of 92.7% and 20.4% uplight of luminaire (ITL53357).

### Lumen Summary

Zone	Lumens	%Lamp	%Fixture
0- 30	7214	20.0	21.6
0- 40	14039	39.0	42.1
0- 60	22355	62.1	67.0
0- 90	26567	73.8	79.6
90-120	4574	12.7	13.7
90-130	5451	15.1	16.3
90-150	6368	17.7	19.1
90-180	6808	18.9	20.4
0-180	33375	92.7	100.

### Luminance Data

#### in Candela/SQ M at 0° plane

Angle	Average
45°	31177
55°	41311
65°	5928
75°	6692
85°	8522

Tested in accordance with IES standards. Lamp is a 400 watt phosphor coated metal halide lamp. Lumen rating = 36,000. Lamp center located at 8.75 inches above lower rim.

## Accessories

### Conical Drop Lens (22CDL):

22" diameter acrylic or polycarbonate lens.

### Prismatic Drop Lens (Model 622):

22" diameter acrylic or polycarbonate lens.

### Smooth Flat Lens (822SFL):

22" diameter acrylic or polycarbonate lens.

### New! Silicone Conical Drop Lens (22SCDL)

22" diameter silicone lens.

### Smooth Collar

For a variety of mounting methods.

### Projector Reflector Collar

Aluminum inner collar for increased downlight.

### Stainless Steel Clamp Band

For attachment of bottom closure.

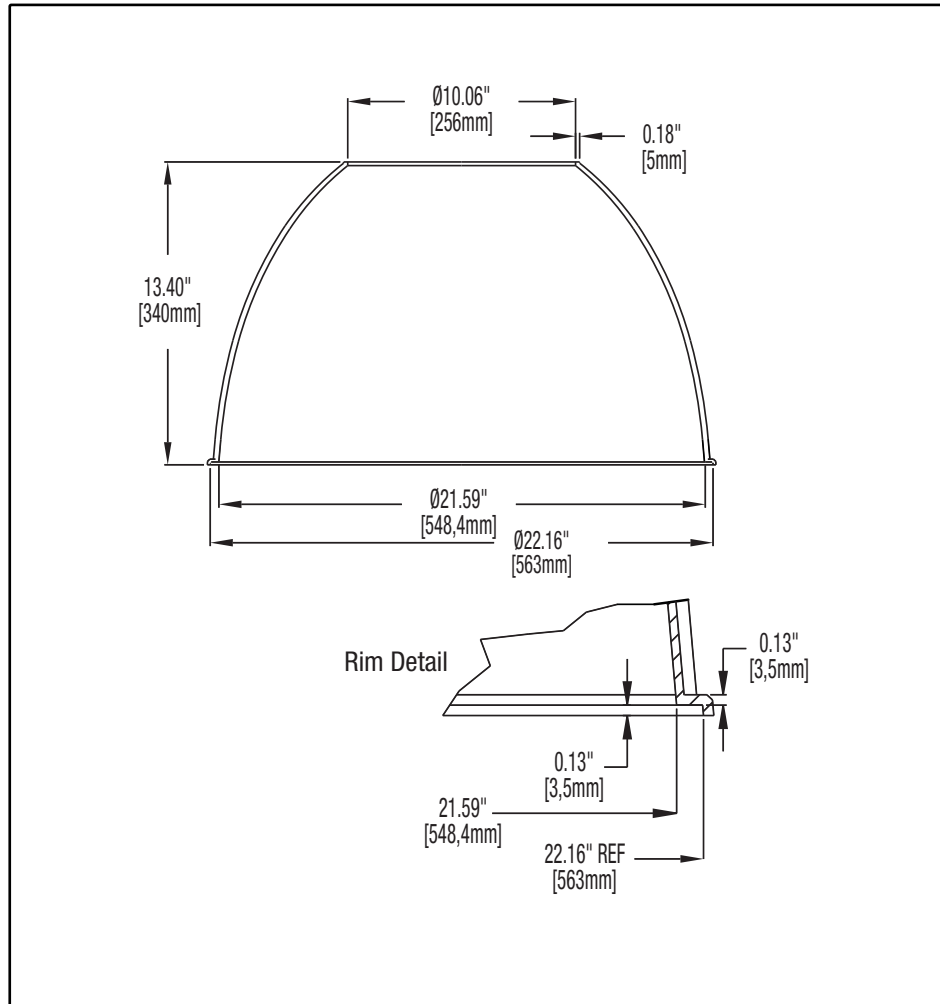
### Wire Guard

Provides lamp protection, attaches to Model 822 with clamp band.

## Materials

See the LexaLite® brand price list for current part numbers and material offerings. Up-to-date and detailed material specifications can be found in the Products/Technical Resources section of our web site at [www.alplighting.com](http://www.alplighting.com).

When using an acrylic Model 822GV, the surface temperature of the Reflector should not exceed 80°C.



**This drawing is for reference only. Actual part dimensions will vary. Customer is urged to review actual samples to confirm fit and function. All specifications and dimensions are subject to change without notice.**

