

POST TOP LANTERN BODIES

Models 411, 412 and 414



Model 411

Description

Models 411, 412 and 414, are polycarbonate lantern bodies, for use in post top or pendant-mount ornamental luminaires. When paired with your reflector and refractor combinations, these non-prismatic components provide design flexibility and a virtually unbreakable product. Clear polycarbonate is the standard material; it offers maximum impact resistance and protection for the lamp and other optical components. Other options include white tinted polycarbonate, for maximum lamp obscuration and low brightness, or we can provide custom tints. Model 414 is also available in acrylic.

Ordering Information

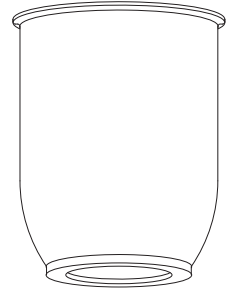
Please call 877-257-5841 for price and delivery. Typical lead time is four to six weeks.

Service Life

The service life of acrylic refractors is virtually unlimited when used within the recommended temperature limit. Polycarbonate refractors are subject to yellowing especially when used with high ultraviolet output light sources; this effect is enhanced at high temperatures.

Notice

A.L.P. Lighting Components, Inc. assumes no responsibility for suitability of luminaires and applications. The use of our molded products at excessive temperatures with high UV output light sources will cause degradation of the material.



Model 411

13.25" high
11" diameter

LANTERN BODY, FOR POST TOP
OR PENDANT-MOUNT
ORNAMENTAL LUMINAIRES

Material: Polycarbonate

Model 412

16.25" high
12.44" diameter

LANTERN BODY, FOR POST TOP
OR PENDANT-MOUNT
ORNAMENTAL LUMINAIRES

Material: Polycarbonate

Model 414

13.6" high
14.27" diameter

LANTERN BODY, FOR POST TOP
OR PENDANT-MOUNT
ORNAMENTAL LUMINAIRES

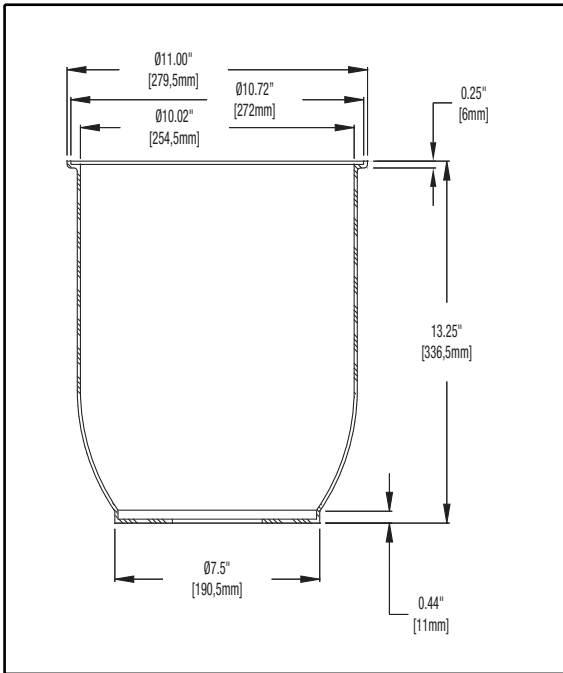
Materials: Polycarbonate and Acrylic



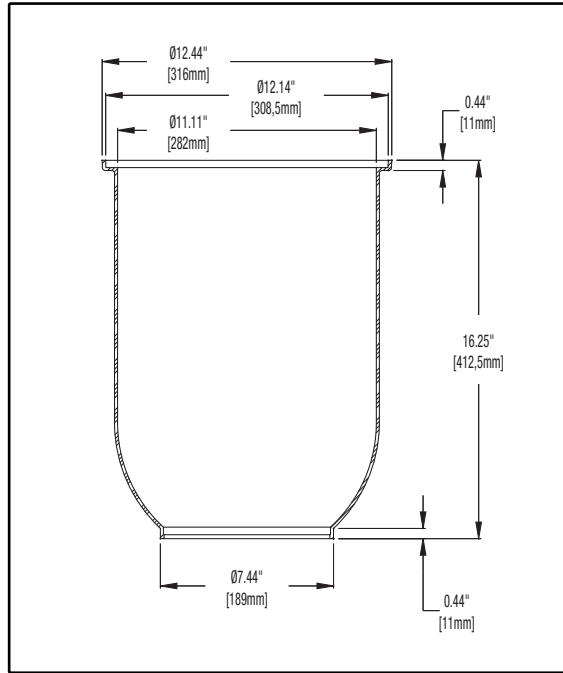
A.L.P.
LIGHTING COMPONENTS, INC.
WEB SITE: WWW.ALPLIGHTING.COM

 **LEXALITE**

Models 411, 412 and 414



Model 411

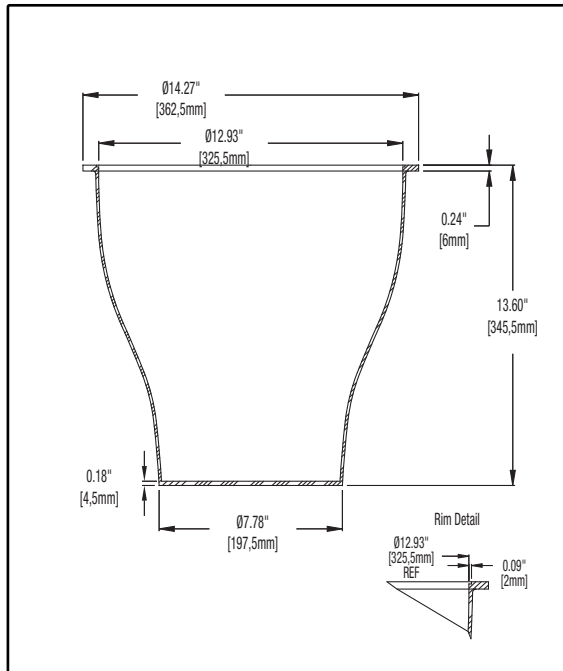


Model 412

Materials

See the LexaLite brand price list for current part numbers and material offerings. Up-to-date and detailed material specifications can be found in the Products/Technical Resources section of our web site at www.alplighting.com.

When using polycarbonate Models 411, 412 and 414 the surface temperature of the lantern body should not exceed 90°C. When using an acrylic Model 414 the surface temperature of the lantern body should not exceed 80°C.



Model 414

This drawing is for reference only. Actual part dimensions will vary. Customer is urged to review actual samples to confirm fit and function. All specifications and dimensions are subject to change without notice.